

**Aquascape**<sup>®</sup>

# AQUAFORCE<sup>®</sup> POND PUMP

**SUBMERSIBLE, SOLIDS-  
HANDLING WATERFALL  
& FILTER PUMP**

**For Models:**

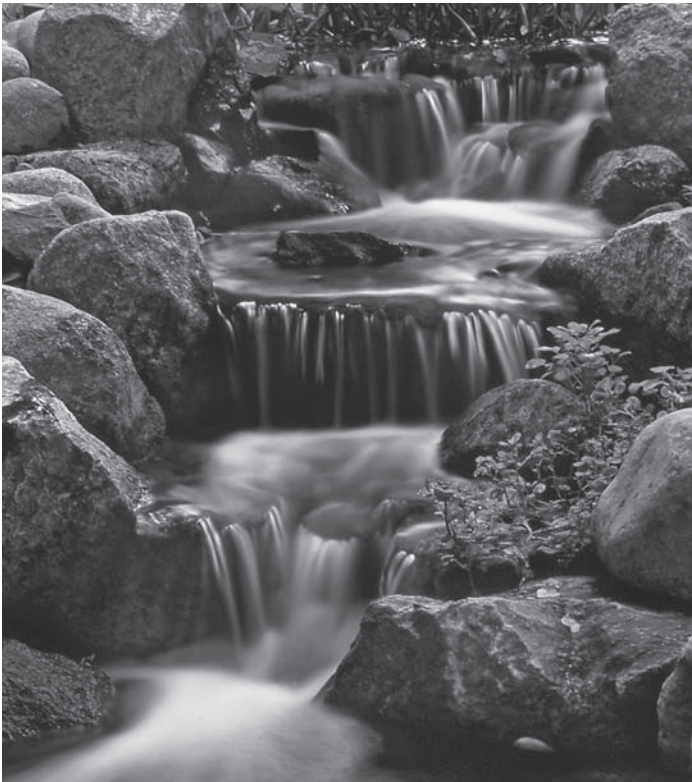
- 1000 (Item #91011)
- 2700 (Item #91012)
- 5200 (Item #91013)





# AQUAFORCE® POND PUMP

**Thank you for choosing the AquaForce® pump.** At Aquascape, our goal is to supply our customers with the best valued products in water gardening. We hope you enjoy your purchase and thank you for choosing Aquascape. *Your Paradise. Our Passion.®*



### 3 YEAR WARRANTY

The AquaForce® Pond Pump is guaranteed for three years from date of purchase. Proof of purchase required. Warranty does not cover damage resulting from negligent handling, misuse or lack of reasonable maintenance or care. Warranty is valid against defects due to material and the company's workmanship only. The sole obligation shall be to replace the defective unit with a suitable replacement unit. Units should be checked for proper operation prior to returning as defective. No liability for loss or damage of any nature or kind, whether arising out of or from the use of the product, whether defective or not defective, is assumed by Aquascape, Inc. or its affiliates.

### CONTACT US

For more information about our company or products please visit our website at [www.aquascapeinc.com](http://www.aquascapeinc.com) or call (US) 1-866-877-6637 (CAN) 1-866-766-3426.

### TABLE OF CONTENTS

Introduction .....	3
Safety Information .....	4
Installation .....	4
Operation and Maintenance .....	6
Troubleshooting .....	8



VISIT OUR WEBSITE



DOWNLOAD A FREE COPY OF OUR CATALOG

## INTRODUCTION

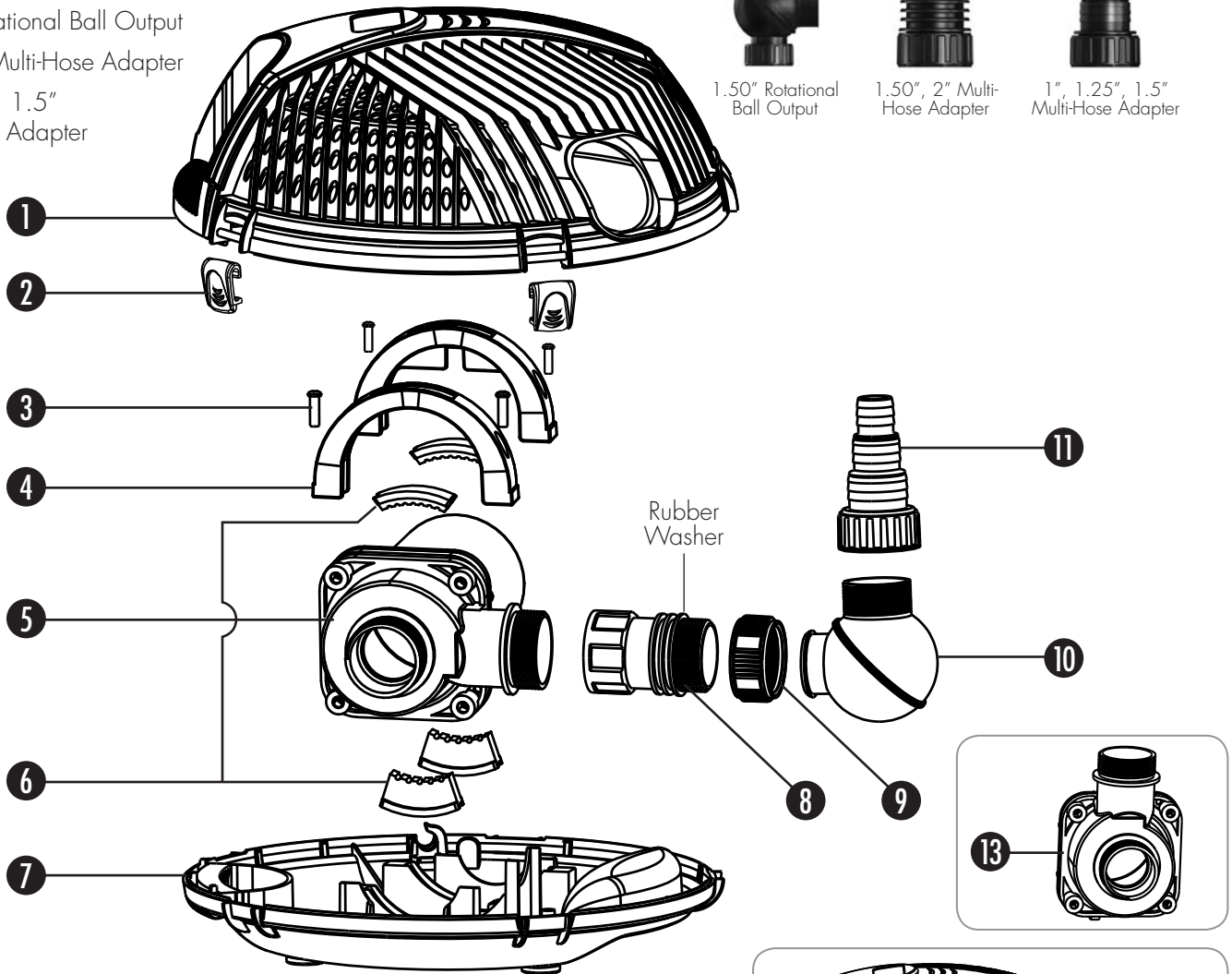
The AquaForce® asynchronous solids-handling waterfall and filter pumps accomplish what most other pumps only aspire to achieve. The combination of energy-efficient performance, flow and ease of maintenance make this pump the ideal choice for discriminating pond owners. The AquaForce® protective pre-filter cage allows the pump to be placed directly into the pond. AquaForce® pumps are able to pump solids up to one

quarter of an inch making it ideal for use with external pressure filters or Aquascape waterfalls-type filter systems.

The AquaForce® can also be used as a de-icer to help prevent winter fish loss by keeping a hole open in the ice during the cold winter months. The pump's powerful water flow, positioned just below the surface of the water, will ensure critical oxygen levels are maintained in the pond during winter.

## CONTENTS & PUMP PARTS:

- (1) AquaForce® Pump
- (1) 1.50" Rotational Ball Output
- (1) 1.5", 2" Multi-Hose Adapter
- (1) 1", 1.25", 1.5" Multi-Hose Adapter

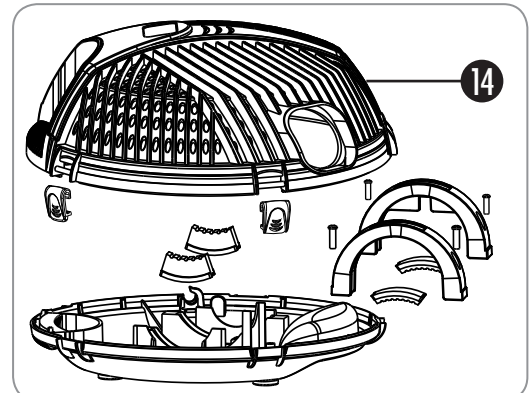
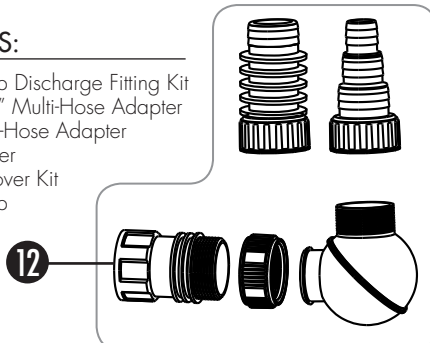


## PARTS LIST:

- ① Upper cover
- ② Clip
- ③ Bracket anchor screw
- ④ Pump bracket
- ⑤ Water pump
- ⑥ Rubber pump supports (4)
- ⑦ Bottom cover
- ⑧ Pump discharge fitting
- ⑨ Threaded collar
- ⑩ Rotational ball
- ⑪ Multi-Hose Adapter

## SPARE PARTS:

- ⑫ 91075 Pump Discharge Fitting Kit  
Includes 1.5" Multi-Hose Adapter and 2" Multi-Hose Adapter
- ⑬ 91076 Water Chamber Cover Kit
- ⑭ 91078 Pump Cage Kit



## SAFETY INFORMATION



**WARNING:** Risk of electric shock – This pump has not been approved for use in swimming pool or marine areas.



**WARNING:** To provide continued protection against risk of electric shock, connect to properly grounded, ground fault circuit interrupter (GFCI) outlets only, using the following guidelines:

- (A) Have a qualified electrician install a properly grounded receptacle outlet, acceptable for outdoor use and protected from snow and rain.
- (B) Inspect cord before using.
- (C) Do not use extension cords.
- (D) Any wiring of pumps should be performed by a qualified electrician to ensure code compliance and user safety.
- (E) Unplug pump at receptacle outlet when not in use or before removal from pond.

- (F) To reduce risk of electrical shock, all wiring and junction connections should be made per local codes. Requirements may vary depending on usage and location.
- (G) The power cable should be protected at all times to avoid punctures, cuts, bruises and abrasions.
- (H) Never handle power cords with wet hands.
- (I) Do not remove cord and strain relief. Do not connect conduit to pump.
- (J) Do not use power cable to lift pump.



## INSTALLATION

- Always operate the pump fully submerged. Failure to do so will overheat the pump and cause it to fail, thus voiding the warranty. **DO NOT OPERATE DRY!**
- Use only in fully assembled state, and be sure that both the upper and lower cage screens are snapped together. Failure to operate the pump without the filter cage closed will allow large debris to enter the pump, causing the pump to fail and voiding the warranty.
- Do not wear loose clothing that may become entangled in the impeller or other moving parts.
- Keep clear of suction and discharge openings. **DO NOT** insert fingers in pump with power connected.
- Do not pump hazardous materials or liquids, such as oil, saltwater or organic solvents.
- Do not block or restrict discharge.
- Products returned must be cleaned, sanitized, or decontaminated, as necessary prior to shipment so as

to ensure that employees will not be exposed to health hazards in handling said material. All applicable laws and regulations shall apply.



**IMPORTANT:** Aquascape, Inc. is not responsible for losses, injury, or death resulting from a failure to observe these safety precautions, misuse or abuse of pumps or equipment.

## AQUAFORCE® SPECIFICATIONS

- Input Voltage: 120V AC
- Input Frequency: 60 Hz
- Submersible pump
- For outdoor or indoor use
- Thermally protected
- This pump has been evaluated for use with water only
- Input Amps & Wattage: *See chart on next page*



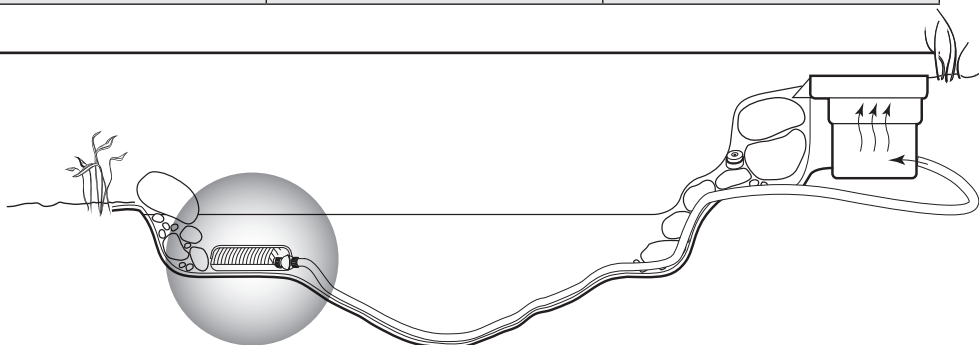
POND SQUAD  
INSTALLATION  
INSTRUCTIONS

## AQUAFORCE® PUMP SPECS

Model Number	1000	2700	5200
Item Number	#91011	#91012	#91013
Average Pond Size Recommendation	2000 US gallons	5400 US gallons	10,400 US gallons
Maximum Flow Rate	1070 GPH	2695 GPH	5284 GPH
Maximum Head Height	10 ft	14.1 ft	23.62 ft
Motor Type	Asynchronous	Asynchronous	Asynchronous
Wattage	55	147	360
Amperage	.51	1.25	3
Power Cord Length	25 ft	25 ft	25 ft
Discharge Hose Diameter	1", 1.25", 1.5", 2"	1", 1.25", 1.5", 2"	1", 1.25", 1.5", 2"
Warranty	3 Year Limited	3 Year Limited	3 Year Limited

### TYPICAL INSTALLATION IN AN ECOSYSTEM WATER GARDEN

- The AquaForce® Pump is designed to be submerged directly into the pond. To maximize pond circulation, locate the AquaForce® pump as far away as possible from the location of the water entering back into the water feature.



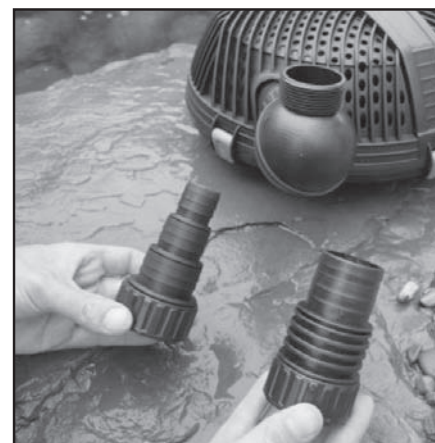
- It is recommended that the pump NOT be positioned in the deepest area of the pond. This will protect the fish by preventing the pond from completely draining in the case of leak in the plumbing or filter. Bricks or stones can be used, if needed, to raise the pump up off the bottom of the pond.

- The AquaForce® includes a wide assortment of fittings to choose from. Select the appropriate fitting(s) needed for your application.
- The threaded collar, on all of the fittings, enables the AquaForce® pump to be installed and removed without the need for any tools. Do not use tools to attach the fittings onto the pump discharge. Fittings need to be hand-tight only.

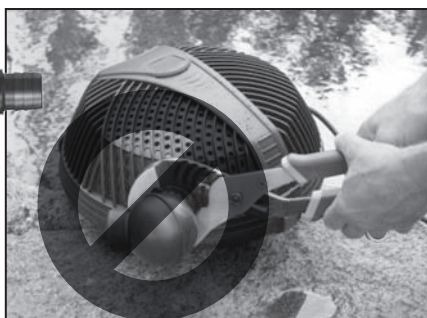
- The extremely versatile Rotational Ball Outlet provides you the ability to adjust the pump discharge to the perfect position that your water feature set-up requires. Loosening the threaded collar allows you to rotate the upper half of the ball. A flat rubber washer seal is included to ensure a hand-tight and leak-free connection. Make sure the flat rubber washer is in place before installing the fittings.



- Install the right-sized Multi-Hose Adapter, based on the diameter of the tubing you are using.



Threaded Collar





- If using pipe with a larger diameter than the smaller fittings of the Multi-Hose Adapters, cut off the smaller section to avoid any flow restriction.

- Attach tubing to the fitting. If tubing is loose on fitting, use a hose clamp (not included) to secure tubing onto the fitting.



- Connect the other end of the pump tubing to the pond filter, such as a biological filter, waterfall spillway or pressurized filter.



- Connect the pump to an outlet that is protected by a ground fault interrupter. Once the pump is running and water is circulating through the filter(s) or waterfalls, check for any fitting or waterfall leaks where the external connections are made.



## USING THE AQUAFORCE® AS A WINTER BUBBLER

- The AquaForce® can also be used to prevent winter fish loss by keeping a hole open in the ice during the cold winter months. The AquaForce® helps ensure there is sufficient oxygen levels and proper gas exchange in the pond, helping to prevent fish loss. For best results use the AquaForce® in combination with a de-icer. The combination of the AquaForce® pump and a pond de-icer will further increase the pond's oxygen levels and remove possibly harmful gases from the water, as well as allow for a back-up in the event one of the devices stops working.



- It is important to not place the AquaForce® on the bottom of the pond during the winter, which may disrupt the natural thermocline found in the deeper portions of the pond where the fish are overwintering. Instead, place the pump at least 1 foot above the deepest point of the pond. The rotational ball should be oriented up, allowing the water to bubble at the surface of the pond. Bricks or stones can be used, if needed, to raise the pump to the proper level.



## OPERATION AND MAINTENANCE

- **Pump Cage** – Do not remove the upper or lower pump cage while operating the pump. Failure to operate the pump without the filter cage or operating the pump with a broken cage will allow large debris to enter the pump causing the pump to fail, thus voiding the warranty.

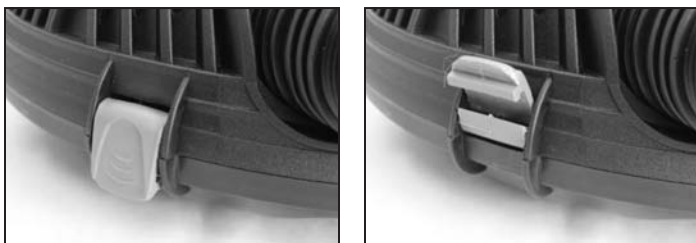
- **Pump Cage Cleaning** – We recommend inspecting your pump on a regular basis to ensure it is functioning properly. If you notice the water flow rate diminish, it may be due to the pump's filter cage becoming clogged with debris. In many cases the clogged filter cage can be cleaned by reaching into the pond and pulling the pump out of the water to remove debris from the filter cage. Always disconnect the power before performing maintenance on the pump.



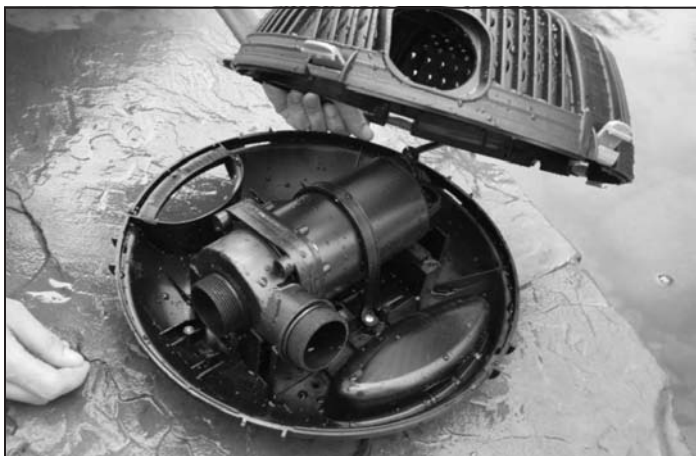
- Pull off any debris stuck to the pump filter cage and/or use a garden hose to spray off any debris stuck to the filter cage.



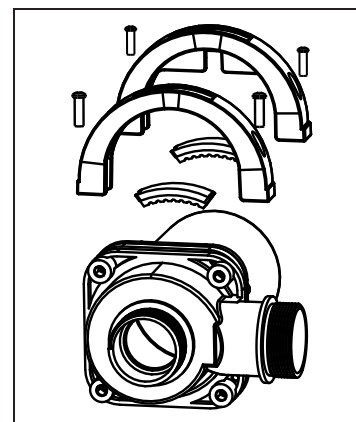
- **Internal Pump Cleaning** – If you have thoroughly cleaned the filter cage screens and still have diminished flow rates, then you will need to remove the pump from the lower cage and inspect the impeller rotor assembly.
- Pull the cage release tabs outward to unlock the upper and lower pump cages.



- With the cage tabs released, the upper filter cage can be lifted to expose the pump.



- Remove the screws securing the pump restraining bracket, allowing the pump to be lifted from the lower cage.



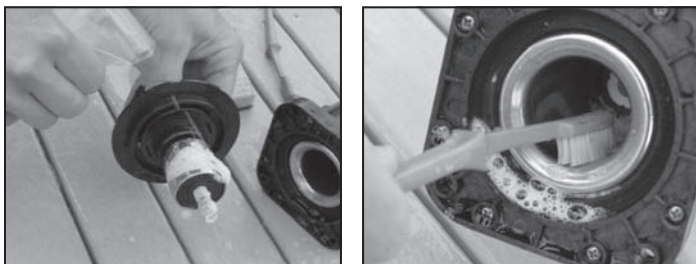
- For easier pump access, pull the power cord free from the strain relief.



- Remove the four screws that hold the water cover chamber and inspect the impeller rotor assembly.

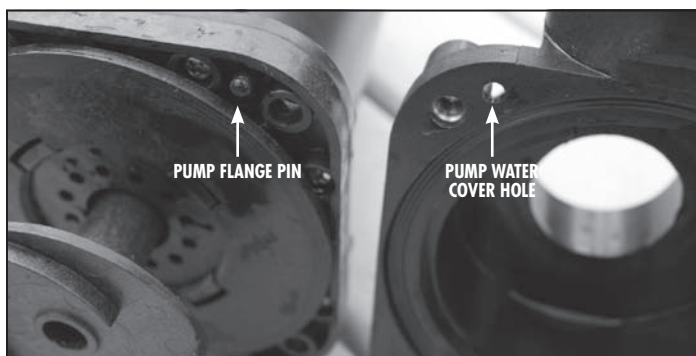
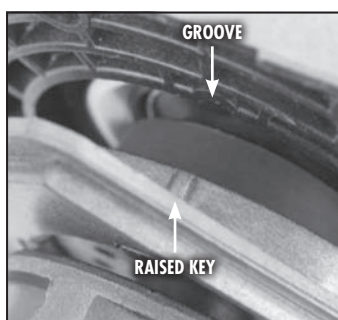


- If your rotor assembly impeller and internal pump body have excessive scale build-up, clean with a mild acid, such as white vinegar or non-abrasive calcium, lime and rust remover product using a sponge or soft-bristled brush that won't scratch the stainless steel. Removing scale build-up will allow your pump to run like new again.

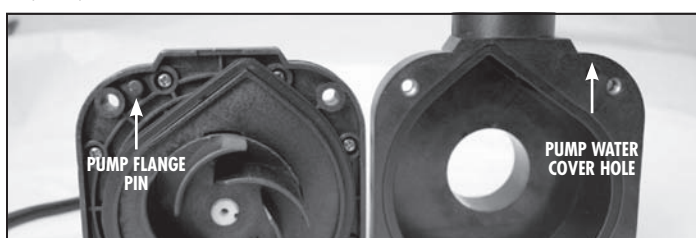


## REPLACING THE IMPELLER/ROTOR ASSEMBLY

- **For Model 5200:** When replacing the AquaForce® 5200 rotor-impeller assembly into the pump chamber, note the proper orientation. The raised key on the impeller face plate should be lined up with the groove in the pump housing.
- **For Models 1000 and 2700:** The 1000 (pictured below) and the 2700 models allow the impeller-rotor assembly to be inserted into the pump body with no special alignment guides needed.



- **AquaForce® 5200 ready for reassembly:** The water chamber cover will only fit back onto the pump with the top of the tear-drop shapes lining up, along with matching the hole in the cover with the pin on the face of the pump motor flange.



## REPLACING PUMP IN CAGE

- Replace the pump into the lower cage and secure in place with the brackets. Also replace the power cord in the strain relief
- Reinstall filter cage and close all 5 snaps.

## WINTER STORAGE

- The pump can be run during freezing weather if desired but should be removed if shutting down the pump for the winter. Disconnect the threaded collar on the discharge fitting and remove the pump from the pond (Be careful not to lose the flat rubber washer). Clean the pump and cage screens with fresh water and store the pump in a frost-free location.

## TROUBLESHOOTING

- **Reduced Water Flow**
  - Pump or plumbing may be clogged. It may be necessary to clean the pump cage screens and impeller.
- **Pump Hums and Doesn't Push Water**
  - Pump or plumbing may be clogged. It may be necessary to clean the pump cage screens and impeller.
  - Remove the water chamber cover and inspect and clean the impeller rotor assembly and internal pump body.
  - Make sure nothing is blocking or wrapped around the impeller.
  - Make sure the pump is receiving the correct voltage.
- **Pump Not Working**
  - The ground-fault circuit-interrupter (GFCI) may have tripped
  - The pump is not receiving the correct voltage.

For more information about our company or products,  
please visit our website at [www.aquascapeinc.com](http://www.aquascapeinc.com)  
or call us at (US) 1-866-877-6637 (CAN) 1-866-766-3426

©2012 Aquascape, Inc. • All Worldwide Rights Reserved

91074.112011



**Aquascape**<sup>®</sup>

# AQUAFORCE<sup>®</sup> POND PUMP

**POMPE DE FILTRAGE ET  
CASCADES, SUBMERSIBLE  
ET RÉSISTANTE AU  
COLMATAGE**

**Pour les modèles suivants:**

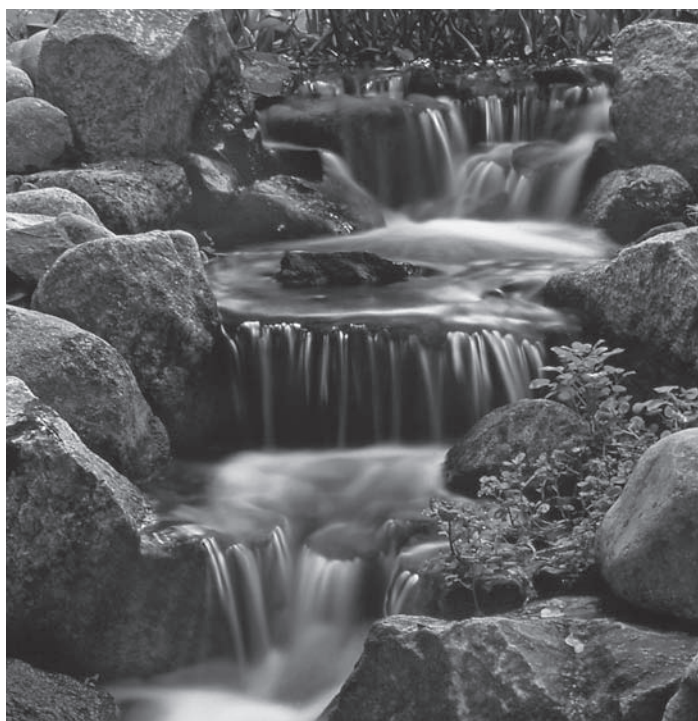
- 1000 (article N° 91011)
- 2700 (article N° 91012)
- 5200 (article N° 91013)





# AQUAFORCE® POND PUMP

**Merci d'avoir choisi la pompe à plan d'eau AquaForce<sup>MD</sup>.** Chez AquaScape, notre but est de fournir à nos clients des produits de la plus haute qualité pour le jardinage aquatique. Nous espérons que vous aimerez votre achat et nous vous remercions d'avoir choisi AquaScape. *Votre paradis. Notre passion.<sup>MD</sup>*



## GARANTIE DE TROIS ANS

La pompe AquaSurge<sup>MD</sup> pour plan d'eau a une garantie de trois ans à partir de la date d'achat. Une preuve d'achat est exigée. La garantie ne couvre pas les dégâts résultant de la négligence de manutention, d'une mauvaise utilisation, ou de l'entretien ou de soins défectueux. La garantie est valable contre les défauts dans les matériaux et les défauts de fabrication seulement. Le remplacement de l'unité défectueuse par une unité de rechange appropriée sera la seule obligation. Les unités devront être vérifiées afin de s'assurer de leur bon fonctionnement avant de les retourner en tant qu'unité défectueuse. AquaScape inc. ou ses filiales n'assumeront aucune responsabilité en cas de perte ou de dégâts de n'importe quelle nature, provenant ou résultant de l'utilisation du produit, défectueux ou non.

## NOUS JOINDRE

Pour plus de renseignements au sujet de notre société ou de nos produits, veuillez visiter notre site Web au [www.aquascapeinc.com](http://www.aquascapeinc.com) ou téléphonez sans frais au 1 866 766 3426, au Canada, ou au 1 866 877 6637, aux États-Unis.

## TABLE DES MATIÈRES

Introduction .....	11
Renseignements de sécurité .....	12
Mode d'emploi .....	12
Fonctionnement et entretien .....	14
Diagnostic des pannes .....	16



VISITEZ NOTRE SITE WEB



EFFECTUEZ UNE RECHERCHE DANS NOTRE CATALOGUE

## INTRODUCTION

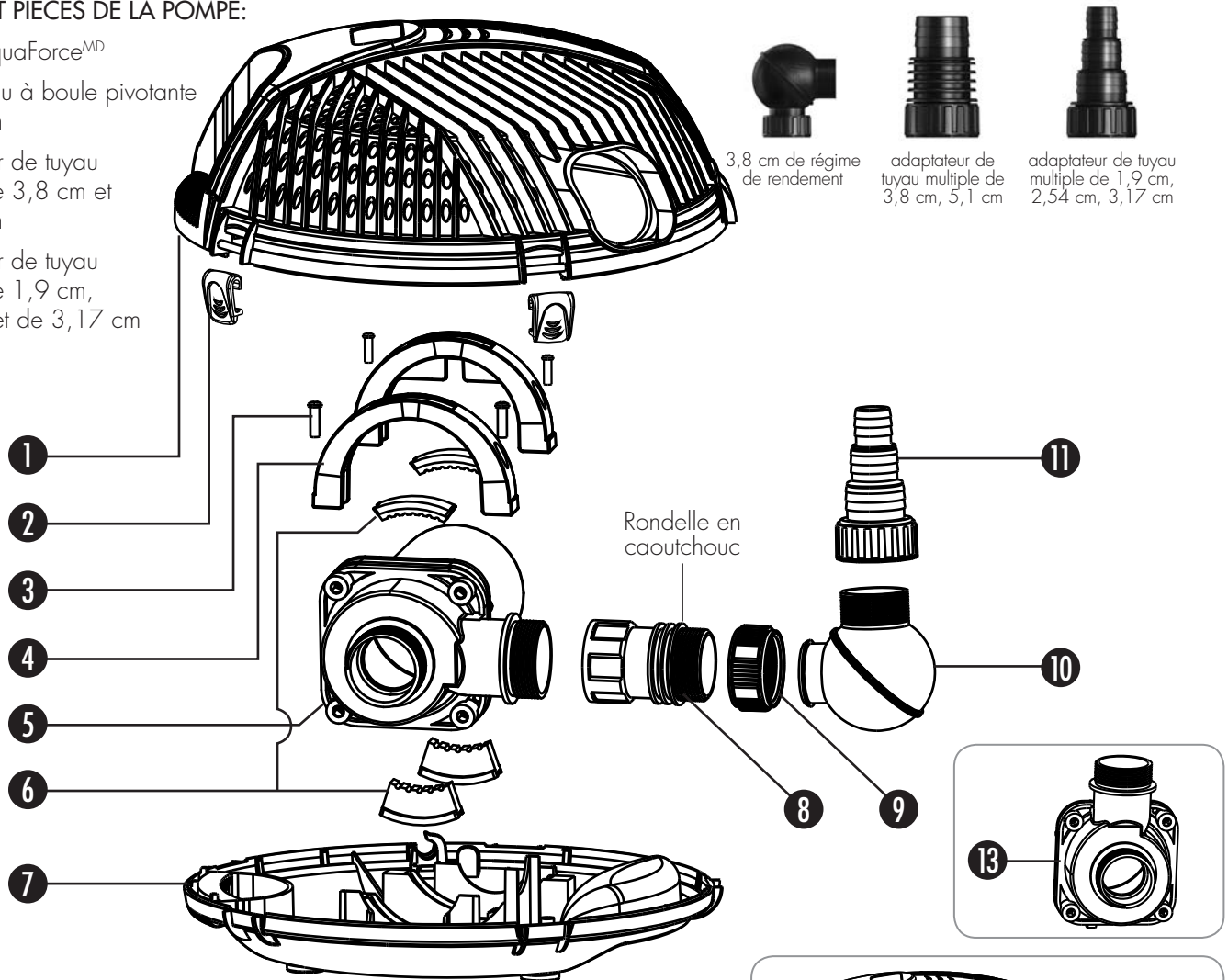
Les pompes pour filtration et cascades AquaForce<sup>MD</sup> asynchrones et résistantes au colmatage effectuent ce que la plupart des autres pompes n'aspirent qu'à réaliser. La combinaison d'une performance écoénergétique, du débit et de la facilité d'entretien fait de cette pompe le choix idéal pour les propriétaires de plan d'eau exigeants. La cage protectrice préfiltrante d'AquaForce<sup>MD</sup> permet à la pompe d'être placée directement dans le plan d'eau. Les pompes AquaForce<sup>MD</sup> peuvent aspirer jusqu'à ¼ po (6,4 mm) de matières solides,

rendant leur utilisation idéale avec des filtres à pression externes ou des systèmes de filtration pour cascades Aquascape.

L'AquaForce<sup>MD</sup> peut aussi être utilisée comme dégivreur pour prévenir la perte de poissons durant la saison froide en maintenant un orifice dans la glace. Le puissant débit de la pompe, qui produit un jet situé juste sous la surface de l'eau, assurera le maintien du niveau essentiel d'oxygène dans le plan d'eau durant la saison froide.

### CONTENU ET PIÈCES DE LA POMPE:

- (1) pompe AquaForce<sup>MD</sup>
- (1) sortie d'eau à boule pivotante de 3,8 cm
- (1) adaptateur de tuyau multiple de 3,8 cm et de 5,1 cm
- (1) adaptateur de tuyau multiple de 1,9 cm, 2,54 cm et de 3,17 cm

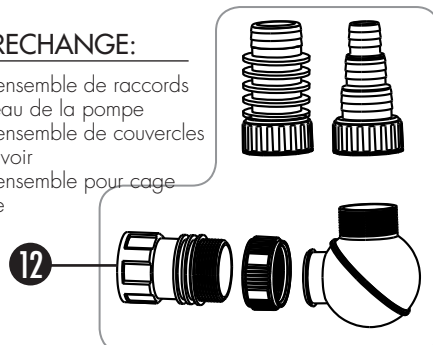


### LISTE DES PIÈCES :

- ① Couvercle supérieur
- ② Attache
- ③ Vis d'ancrage de courroie
- ④ Anneau de la pompe
- ⑤ Pompe à eau
- ⑥ Support de pompe en caoutchouc
- ⑦ Couvercle inférieur
- ⑧ Raccord de sortie d'eau de la pompe
- ⑨ Col fileté
- ⑩ Boule pivotante
- ⑪ Adaptateur de tuyau multiple

### PIÈCES DE RECHANGE:

- ⑫ N° 91075 ensemble de raccords de sortie d'eau de la pompe
- ⑬ N° 91076 ensemble de couvercles pour le réservoir
- ⑭ N° 91078 ensemble pour cage de la pompe



## RENSEIGNEMENTS DE SÉCURITÉ



**MISE EN GARDE :** *risque de choc électrique – Cette pompe n'a pas été approuvée pour une utilisation en piscine ou en zones marines.*



**MISE EN GARDE :** *Afin d'assurer une protection continue contre le risque de décharge électrique, ne branchez le cordon qu'à une prise d'alimentation avec mise à la terre, en observant les directives suivantes :*

- (A) Faites installer une prise de courant correctement mise à la terre convenant à une utilisation extérieure et protégée de la neige et de la pluie
- (B) Inspectez le cordon d'alimentation avant l'utilisation
- (C) N'utilisez pas de rallonge électrique
- (D) Tout câblage relié à la pompe devrait être exécuté par un électricien qualifié pour être en conformité avec les normes et s'assurer de la sécurité de l'utilisateur
- (E) Débranchez la pompe de la prise de courant lorsque vous ne vous en servez pas ou avant de la sortir du plan d'eau
- (F) Pour réduire le risque de décharge électrique, tout le câblage et les raccordements de jonction devraient

être exécutés selon les normes locales. Les exigences peuvent varier en fonction de l'utilisation et de l'emplacement

- (G) Le câble électrique devrait être protégé en tout temps pour éviter les perforations, les coupures, les ecchymoses et les abrasions
- (H) Ne manipulez jamais les cordons d'alimentation avec les mains humides
- (I) N'enlevez pas le cordon et le dispositif de réduction de la tension. Ne joignez pas le conduit à la pompe
- (J) Ne soulevez pas la pompe par le cordon d'alimentation.



## MODE D'EMPLOI

- La pompe doit toujours être entièrement submergée lors de son fonctionnement. Ne pas le faire entraînera le surchauffement de la pompe et causera une défaillance de fonctionnement, ce qui annulera la garantie. **NE PAS FAIRE FONCTIONNER À SEC!**
- N'utilisez la pompe que lorsqu'elle est entièrement assemblée et assurez-vous que les deux grilles de la cage, supérieure et inférieure, soient bien attachées ensemble. Si vous opérez la pompe lorsque la cage de filtration n'est pas fermée, des débris de grande taille risquent d'entrer dans la pompe entraînant ainsi sa défaillance et annulant de ce fait la garantie.
- Ne portez pas de vêtements amples qui peuvent s'empêtrer dans la turbine ou dans d'autres pièces en mouvement.
- Restez à l'écart des sorties et des entrées d'eau. **N'INSÉREZ PAS** de doigts dans la pompe lorsqu'elle est branchée.
- Ne pompez pas de matières dangereuses ou des liquides, tels que l'huile, l'eau salée ou les solvants biologiques.

- Ne bloquez ni ne restreignez la sortie de la pompe.
- Les produits retournés doivent être nettoyés, désinfectés ou décontaminés au besoin, avant l'expédition pour s'assurer que les employés ne soient pas exposés à des risques pour la santé lors de la manutention dudit matériel. Toutes lois et tous règlements en vigueur seront applicables.



**IMPORTANT:** *Aquascape inc. n'est nullement responsable des pertes, blessures ou décès résultant du non-respect de ces consignes, d'une mauvaise utilisation ou d'une utilisation abusive de la pompe ou de l'équipement.*

## CAHIER DES CARACTÉRISTIQUES TECHNIQUES D'AQUAFORCE<sup>MD</sup>

- Tension d'entrée : 120 V c.a.
- Fréquence d'entrée : 60 Hz
- Pompe submersible
- Pour utilisation extérieure ou intérieure
- Protection thermique
- Pompe évaluée en utilisation avec de l'eau seulement
- Intensité de courant d'entrée et puissance en watts:  
*voir diagramme ci-dessous*



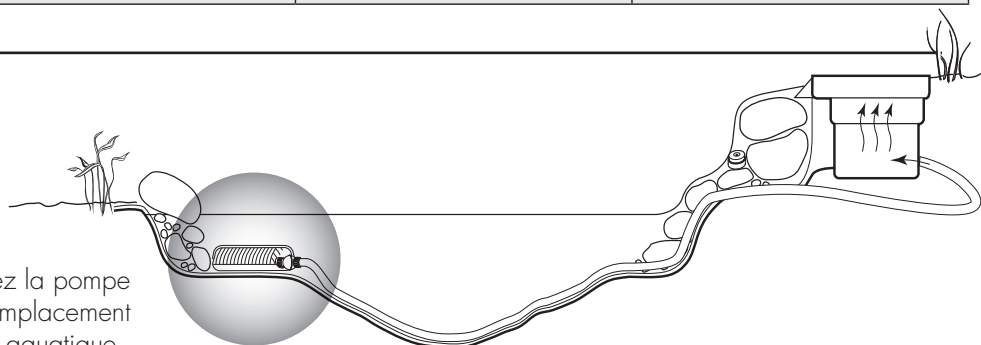
INSTRUCTIONS  
D'INSTALLATION  
DE NOTRE  
ÉQUIPE DE  
SPÉCIALISTES EN  
PLAN D'EAU

## CARACTÉRISTIQUES TECHNIQUES DE LA POMPE AQUAFORCE<sup>MD</sup>

Numéro de modèle	1000	2700	5200
Numéro de l'article	N° 91011	N° 91012	N° 91013
Recommandation de la taille moyenne du plan d'eau	7 570,82 L	20 441,22 L	39 368,28 L
Débit maximal	4 864,32 L/h	12 251,71 L/h	24 021,54 L/h
Hauteur maximale	3,05 m	4,30 m	7,20 m
Type de moteur	Asynchrone	Asynchrone	Asynchrone
Puissance en watts	55	147	360
Intensité de courant	0,51	1,25	3,0
Longueur de cordon d'alimentation	25 pi/7,62 m	25 pi/7,62 m	25 pi/7,62 m
Diamètre du boyau de sortie d'eau	2,5 cm, 3,17 cm, 3,8 cm, 5,1 cm	2,5 cm, 3,17 cm, 3,8 cm, 5,1 cm	2,5 cm, 3,17 cm, 3,8 cm, 5,1 cm
Garantie	Limitée de 3 ans	Limitée de 3 ans	Limitée de 3 ans

### INSTALLATION TYPE DANS UN JARDIN D'EAU AVEC ÉCOSYSTÈME

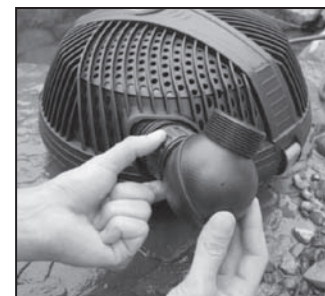
- La pompe AquaForce<sup>MD</sup> est conçue pour être submergée directement dans le plan d'eau. Afin de maximiser la circulation d'eau dans le plan d'eau, placez la pompe AquaForce<sup>MD</sup> aussi loin que possible de l'emplacement où l'eau entre à nouveau dans l'installation aquatique.



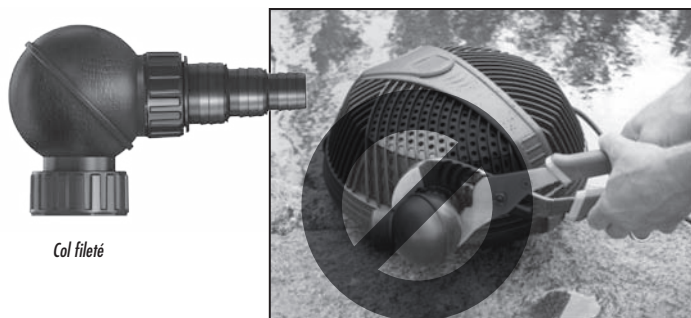
- Il est recommandé de NE PAS placer la pompe dans la partie la plus profonde du plan d'eau. Ceci protégera les poissons en empêchant le plan d'eau de se vider complètement en cas de fuite dans la plomberie ou le filtre. Des briques ou des pierres peuvent être utilisées, si nécessaire, pour surélever la pompe du fond du plan d'eau.

- L'AquaForce<sup>MD</sup> comprend un vaste assortiment de raccords parmi lequel choisir. Sélectionnez le raccord approprié ou les raccords nécessaires à votre installation.
- Le col fileté de tous les raccords permet à la pompe AquaForce<sup>MD</sup> d'être installée et enlevée sans outils. N'utilisez pas d'outils pour fixer les raccords à la sortie de la pompe. Les pièces doivent être serrées à la main seulement.

- La sortie d'eau à boule pivotante extrêmement polyvalente vous donne la capacité d'ajuster la sortie d'eau de la pompe à la position requise par votre installation aquatique. En desserrant le col fileté, vous pouvez faire tourner la moitié supérieure de la boule. Une rondelle plate en caoutchouc est incluse pour un raccordement serré manuellement et sans fuite. Assurez-vous que la rondelle plate en caoutchouc soit préalablement mise en place avant l'installation des raccords.



- Installez l'adaptateur de tuyau multiple de la bonne taille en vous basant sur le diamètre du tuyau que vous utilisez.



Col fileté



- Si vous utilisez un tuyau d'un diamètre supérieur à la partie la plus étroite de l'adaptateur de tuyau multiple, taillez les parties plus étroites pour éviter toute restriction dans le débit d'eau.

- Fixez le tuyau au raccord. Si le tuyau n'est pas assez serré au raccord, utilisez un collier de serrage (non compris) pour bien fixer le tuyau au raccord.



- Joignez l'autre bout du tuyau de la pompe au filtre à plan d'eau comme un filtre biologique, un déversoir de cascades ou un filtre pressurisé.



- Branchez la pompe à un disjoncteur de fuite à la terre. Lorsque la pompe fonctionne et que l'eau circule par le(s) filtre(s) ou les cascades, vérifiez toute possibilité de fuite dans les raccords ou les cascades aux endroits où des raccords externes ont été faits.



## UTILISATION DE L'AQUAFORCE<sup>MD</sup> COMME BARBOTEUR HIVERNAL

- L'AquaForce<sup>MD</sup> peut aussi être utilisée pour prévenir la perte de poissons durant la saison froide en maintenant un orifice dans la glace. L'AquaForce<sup>MD</sup> permet de maintenir des niveaux d'oxygène suffisants et un échange gazeux approprié dans le plan d'eau, prévenant ainsi la perte de poissons. Pour de meilleurs résultats, utilisez l'AquaForce<sup>MD</sup> en combinaison avec un dégivreur. De plus, la combinaison de la pompe AquaForce<sup>MD</sup> et du dégivreur augmentera les niveaux d'oxygène du plan d'eau, éliminera de l'eau les gaz potentiellement nuisibles et fournira une protection de secours au cas où un des dispositifs arrêterait de fonctionner.



Dégivreur

- Il est important de ne pas installer l'AquaForce<sup>MD</sup> au fond du plan d'eau pendant l'hiver. Ceci pourrait perturber la thermocline présente naturellement dans les parties plus profondes du plan d'eau, là où les poissons hivernent. Au lieu de cela, placez l'AquaForce<sup>MD</sup> à au moins 1 pi (30 cm) au-dessus du point le plus profond de l'étang. La boule pivotante devrait être orientée de façon à permettre à l'eau d'émettre des bulles à la surface. Des briques ou des pierres peuvent être utilisées si nécessaire pour élever la pompe au niveau adéquat.



## FONCTIONNEMENT ET ENTRETIEN

- **Cage de pompe** – N'enlevez ni la cage supérieure ni la cage inférieure de la pompe lorsque vous l'actionnez. Faire fonctionner la pompe sans la cage de filtration ou avec une cage brisée permettrait à des débris de grande taille d'entrer dans la pompe, entraînant ainsi sa défaillance et annulant de ce fait la garantie.

### • Nettoyage de la cage de pompe

– Nous recommandons d'inspecter votre pompe régulièrement pour vous assurer qu'elle fonctionne correctement.

Si vous remarquez que le débit d'eau diminue, cela peut être dû à des débris obstruant la cage de filtration de la pompe.

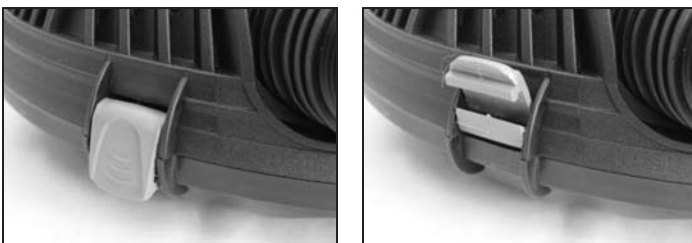
Débranchez le courant en tout temps avant de procéder à l'entretien de la pompe. Dans de nombreux cas, la cage de filtration bouchée peut être nettoyée en plongeant la main dans le plan d'eau, ou en mettant la pompe hors de l'eau et en enlevant les débris de la cage de filtration.



- Retirez les débris logés dans la cage de filtration de la pompe et/ou utilisez un tuyau d'arrosage pour nettoyer les débris collés sur la cage de filtration.



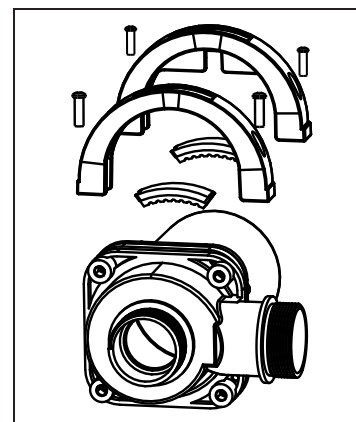
- **Nettoyage interne de la pompe** – Si vous avez nettoyé à fond les grilles de la cage de filtration et avez réduit le débit d'eau, alors vous devrez enlever la pompe de la cage inférieure et inspecter l'assemblage du rotor à turbine.
- Tirez sur les loquets de déblocage de la cage vers l'extérieur pour ouvrir les cages supérieure et inférieure de la pompe.



- Les loquets de déblocage de cage étant détachés, la cage de filtration supérieure peut être soulevée pour en exposer la pompe.



- Enlevez les vis qui fixent le support de retenue de la pompe, permettant à la pompe pour être levé par la cage.



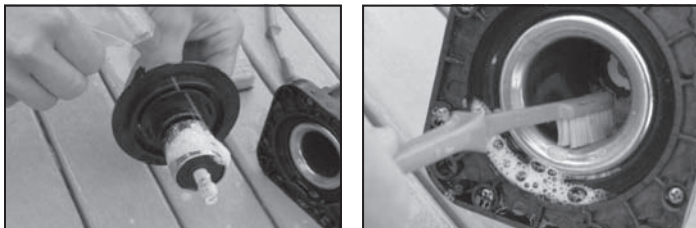
- Pour accéder plus facilement à la pompe, libérez aussi le cordon d'alimentation du dispositif de décharge de traction.



- Enlevez les quatre vis qui retiennent le couvercle de la chambre d'eau et inspectez l'assemblage du rotor à turbine.

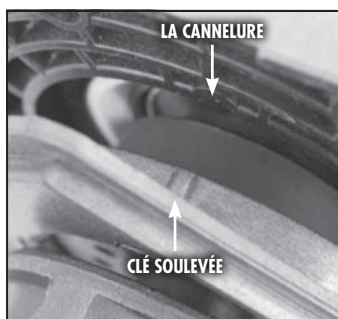


- Si l'assemblage de la turbine du rotor et la partie interne de la pompe contiennent des dépôts calcaires excessifs, nettoyez avec un acide doux, comme du vinaigre blanc ou du CLR, et une éponge de cuisine ou une brosse à poils doux qui n'égratignera pas l'acier inoxydable. Ceci éliminera les résidus calcaires et permettra à la turbine de la pompe de tourner à nouveau.

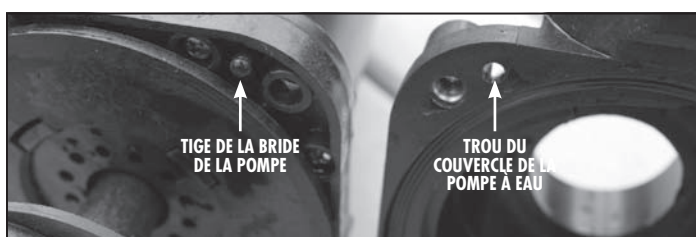


## REEMPLACEMENT DE L'ASSEMBLAGE DU ROTOR DE TURBINE

- **Remarque :** En remplaçant l'assemblage du rotor de turbine de l'Ultra 5200 dans le réservoir de la pompe, remarquez la bonne orientation. La clé soulevée sur la surface de la plaque avant de la turbine devrait être alignée à la cannelure du boîtier de la pompe.

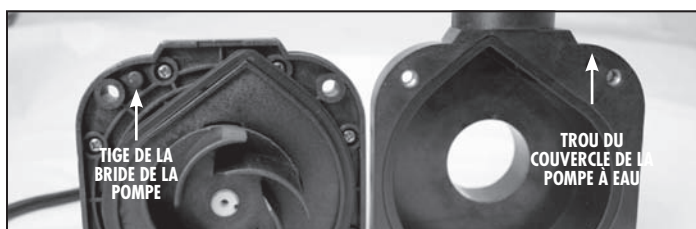


- Finalement, une tige sur la face interne de la bride de la pompe (voir l'image de gauche) doit être insérée dans le trou correspondant sur la face du couvercle de la pompe à eau. Ne pas faire ainsi pourrait entraver le fonctionnement de la pompe et empêcher les deux surfaces correspondantes de la bride de pompe et du dos de la turbine de s'emboîter complètement.



## • L'AquaForce 5200 est prête pour le remontage:

Le couvercle du réservoir ne s'emboîtera sur la pompe qu'en faisant correspondre l'une contre l'autre les formes de goutte d'eau du couvercle et de la pompe, le trou étant bien aligné avec la tige de la bride du moteur de la pompe..



## REEMPLACEMENT DE LA POMPE DANS LA CAGE

- Remplacez la pompe dans la partie inférieure cage et sécurisez lieu avec les anneaux de la pompe. Remplacez les cordons d'alimentation.
- Réinstallez la cage de filtration et fermez les cinq loquets.

## LE RANGEMENT HIVERNAL

- Vous pouvez faire fonctionner la pompe par temps glacial si désiré, mais elle devrait être enlevée si vous l'arrêtez pour l'hiver. Débranchez le col fileté du raccord de sortie et sortez la pompe du plan d'eau (gardez prudemment la rondelle en caoutchouc plate). Nettoyez la pompe et les grilles de la cage avec de l'eau douce et rangez la pompe dans un endroit à l'abri du gel.

## DIAGNOSTIC DES PANNES

- **Débit d'eau réduit**
  - La pompe ou la plomberie peuvent être bouchées. Il peut être nécessaire de nettoyer les grilles de filtration et la turbine.
- **Bourdonnement de la pompe et absence de propulsion d'eau**
  - La pompe ou la plomberie peuvent être bouchées. Il peut être nécessaire de nettoyer les grilles de filtration et la turbine.
  - Enlevez le couvercle du réservoir, inspectez et nettoyez l'assemblage du rotor de turbine et la partie interne de la pompe.
  - Assurez-vous que rien ne bloque ou n'enveloppe la turbine.
  - Assurez-vous que la pompe reçoit la bonne tension.
- **Pompe en panne**
  - L'interrupteur du disjoncteur de fuite à la terre (GFCI : ground-fault circuit-interrupter) peut avoir été déclenché.
  - La pompe ne reçoit pas la bonne tension.

Pour plus de renseignements au sujet de notre société ou de nos produits, veuillez visiter notre site Web au [www.aquascapeinc.com](http://www.aquascapeinc.com) ou téléphonez sans frais au 1 866 766 3426, au Canada, ou au 1 866 877 6637, aux États-Unis.

©2012 Aquascape, Inc. • Tous droits réservés mondialement

91074.112011