

INSTRUCTIONS

Instructional Videos Available on our web site:
www.lifegardaquatics.com



**LIFEGARD ALL-IN-ONE FILTER SYSTEM
 INSTRUCTIONS**
Page 2 - 6
 R442001 All-In-One Single Up To 1000 Gallons
 R442002 All-In-One Double Up To 1500 Gallons
 R442003 All-In-One Triple Up To 2000 Gallons



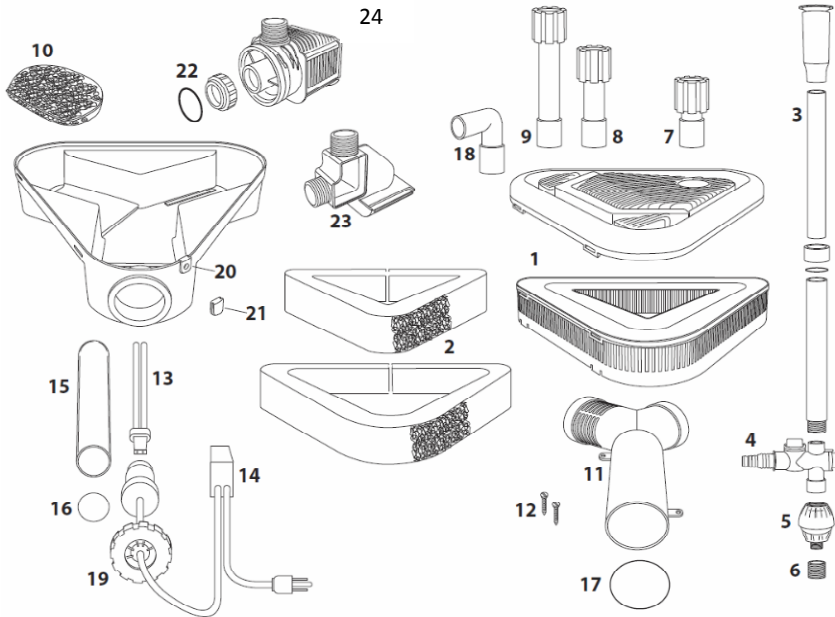
**LIFEGARD UNO, DUO, TRIO FILTER KITS
 INSTRUCTIONS**
Page 7 - 12
 R440021-UNO Filter Kit Up To 1000 Gallons
 R440022-DUO Filter Kit For Up To 1500 Gallons
 R440023-TRIO Filter Kit For Up To 2000 Gallons



**LIFEGARD UNO, DUO, TRIO FILTER
 KITS INSTRUCTIONS**
Page 12 - 17
 R440011-UNO Filter For Up To 1000 Gallons
 R440012-DUO Filter For Up To 1500 Gallons
 R440013-TRIO Filter For Up To 2000 Gallons



LIFEGARD ALL-IN-ONE FILTER SYSTEM INSTRUCTIONS



R442001 All-In-One Single Up To 1000 Gallons
R442002 All-In-One Double Up To 1500 Gallons
R442003 All-In-One Triple Up To 2000 Gallons



All In One Setup Positions for
Single, Double and Triple

Instructional Videos Available on our web site:

www.lifegardaquatics.com

Item	Part No.	Description	Item	Part No.	Description
1	R440024	Add-on Cartridge (complete layer includes sponges)	14	R442014	13 Watt UV Ballast Assembly
2	R440026	Replacement Sponges Only	15	R442015	UV Quartz Sleeve
3	R442004	Fountain Kit Complete	16	R442016	Gasket for UV Quartz Sleeve
4	R442005	Diverter Valve	17	R442017	"O" Ring for internal UV Housing
5	R442006	Leveling Fitting for Fountain Kit	18	R442018	1" MPT x 90 Degree Insert Fitting
6	R270484	1" MPT x Close Threaded Nipple	19	R442019	UV Light Cover with Nut
7	R442007	Single Layer Locking Assembly	20	R442020	Rubber Cord Grommet
8	R442008	Double Layer Locking Assembly	21	R442021	Rubber Solid Grommet
9	R442009	Triple Layer Locking Assembly	22	R442022	Pump to UV Chamber Adapter with "O" Ring
10	R442010	Biological Media Bag	23	R442023	Pump Replacement Base
11	R442011	UV Chamber	24	R442024	Q1-2200 Pump for All-in-One with 20' Cord
12	R442012	UV Chamber Screws	24	R442025	Q1-3000 Pump for All-in-One with 20' Cord
13	R442013	13 Watt UV Bulb	24	R442026	Q1-4000 Pump for All-in-One with 20' Cord

Please Read Instructions before Installing

The advanced features of this compact filter system allow efficient operation and if installed according to instructions, will keep the water in your pond, water garden or fountain crystal clear.

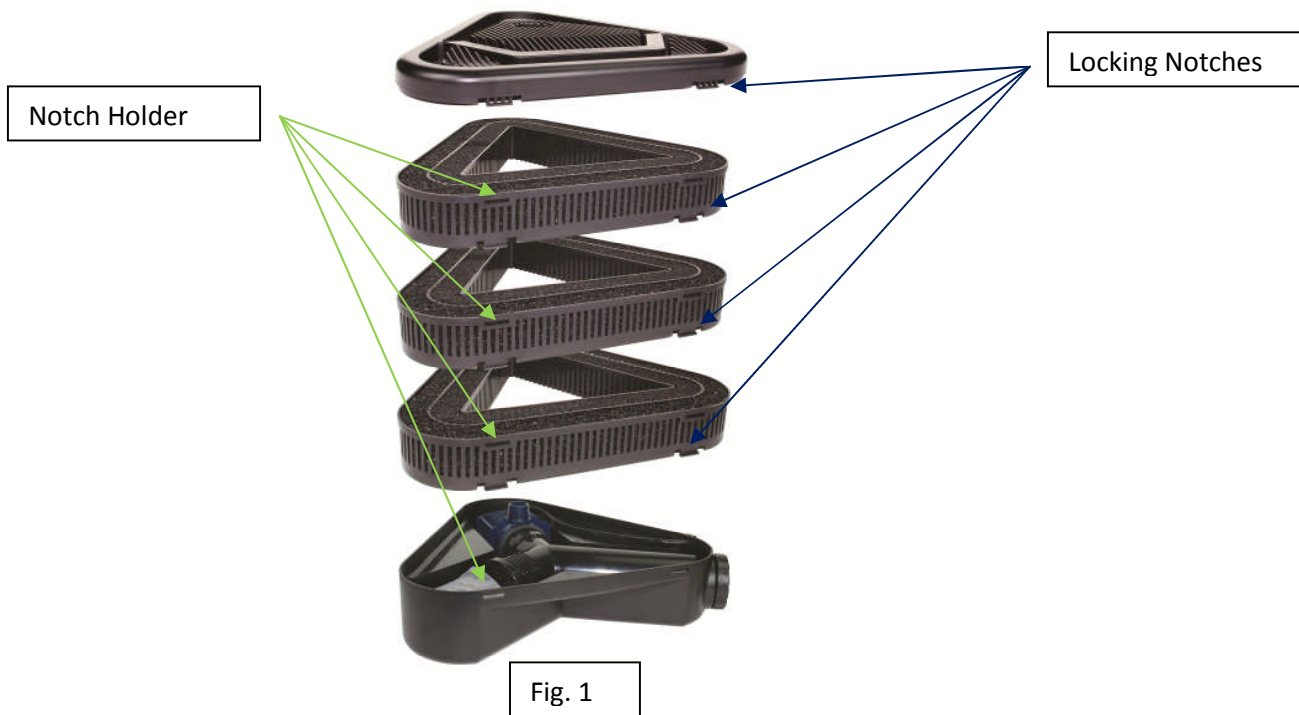
The ALL IN ONE FILTER SYSTEM is a compact filter for ponds, water gardens and fountains easy to install and designed for easy maintenance. Besides offering 2 different fountain spray patterns, it performs three different filtering functions:

1. Multi Layer MECHANICAL Filtration to remove solids.
2. BIOLOGICAL Filtration to promote beneficial bacterial growth.
3. ULTRAVIOLET STERILIZATION puts out 13 Watts of intense UV light to kill free floating algae. The ultraviolet sterilizer has a separate plug so that you can operate it only when needed.

Setup and Maintenance: Please refer to the parts guide for individual part's explanation.

Initial Setup:

Step – 1: Remove the Layer Locking Assembly (Item # 7,8,9) that is holding down the Housing Cover Top. Take off the layer (s) (Item # 1) by gently sliding out the locking Notches (as see in Fig. 1)



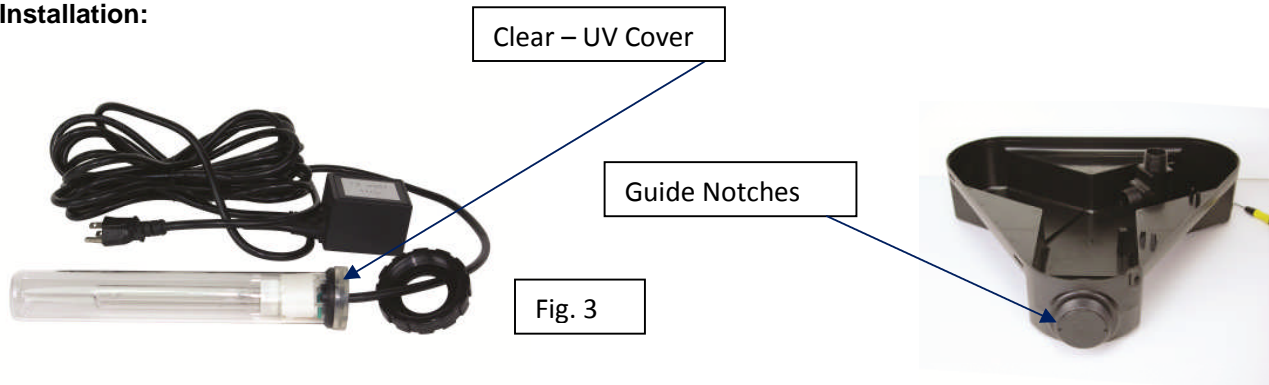
Inspect the Pump (Item # 24) and UV Chamber (Item # 11). Both should be locked in place. The Biological Media bag (Item # 10) should be placed by the UV Chamber Opening and the pump base should be locked in place. The O-Ring on the Pump to UV Chamber Adapter (Item # 22) should be in position on the grey pump volute and properly inserted into with UV Chamber Housing (as seen in Fig. 2).



Step – 2: Once all the parts are inspected for correct positioning make sure that the pump cable is running through the locks and is locked in place with the Rubber Cord Grommet (Item # 20) (as seen in Fig. 2A).

Step – 3: Correctly place the layer (s) back on the base by sliding the Locking notches into the Notch Holders. Similarly place the Top Housing Cover and Lock it in with the Locking Assembly. Now you are ready to put the 1" Nipple, Leveling Fitting for Fountain Kit, Diverter Valve and the Fountain Kit Complete (in the same order) (Item # 3,4,5,6).

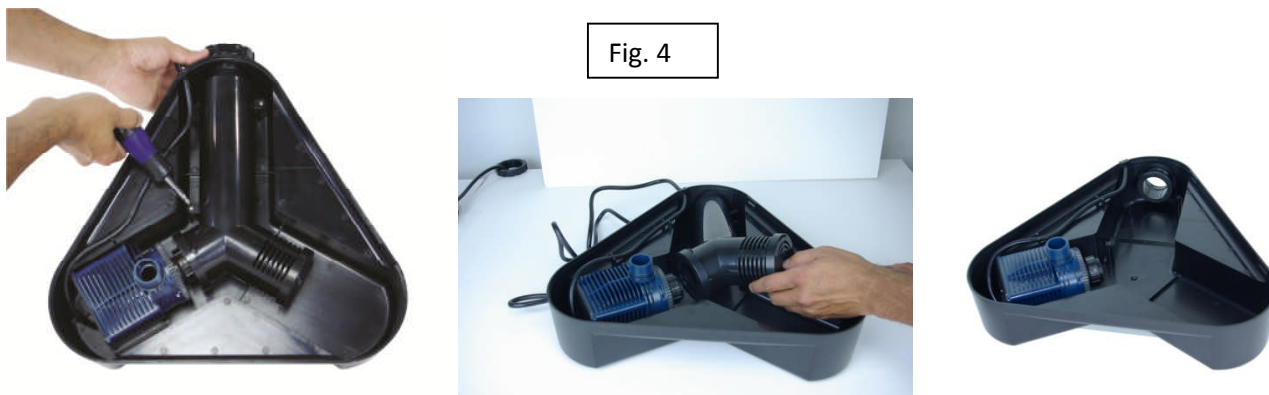
UV Installation:



Put the UV bulb (Item # 13) in the 2-Pin Ballast connector (Item # 14). Slide the black rubber Gasket of Quartz Sleeve (Item # 16) onto the open rim of the Quartz Sleeve (Item # 15) so that the flat end of the gasket faces out to the Clear UV Cover. Slide the Quartz Sleeve (Item # 16) into the round notch of the Clear UV Cover (Item # 19). Now hold the Clear UV Cover and slide the quartz sleeve into the UV Chamber. Align the two Guide Notches with the opening on the Clear UV Cover. Close the Nut and hand tighten only.

Pump Installation:

It is recommended that you service the Quiet One Pump (Item # 24) every three month to enhance its efficiency and the life of the moving parts. Before you start to service the pump – first “REMOVE” the UV bulb (Item # 13) and Sleeve (Item # 15) from the unit. Not doing this first you risk cracking the Quartz Sleeve and UV Bulb. To service the pump follow Step – 1 to remove the top cover, Filter layers and the Biological media bag. With the Quartz Sleeve and UV Bulb out of the chamber remove the UV housing Cover by removing the screws that hold it in place (as seen in Fig. 4).



Step – 4: Gently slide the UV Housing Cover (Item # 11) by first sliding it out from the pump and then the base UV seal. The pump is locked onto the base with horizontal notches (as seen in Fig. 5). NOTE the position of the pump when it is locked onto the base. Once this process is complete you will have to lock the pump back into the same position. With the pump fully exposed push it out horizontally along the notches. NOTE – You may have to place the filter base sideways

and push the pump into the grove until you hear a locking clock sound. Similarly push in the opposite direction to take the pump out of the grove.



Fig. 5

Vertical pull may result in damaging the base or the pump. With the pump out remove the grey pump volute by twisting it counter clockwise. This will expose the impeller and shaft of the pump. Inspect all parts for any debris. Use a brush to remove any debris.

Recommendation: It is recommended to use Lifeguard Silicon Lubricant (Item # R172036) on all rubber O-rings and the impeller and shaft of the pump. After servicing the pump replace the pump back onto the base by following Step – 4 in reverse. Make sure to slide the pump back onto the base until it is locked and you hear a locking click. If the pump is not all the way locked the UV chamber will not fit properly. Reinstall the Pump to UV Chamber Adapter (as shown in Fig – 6).

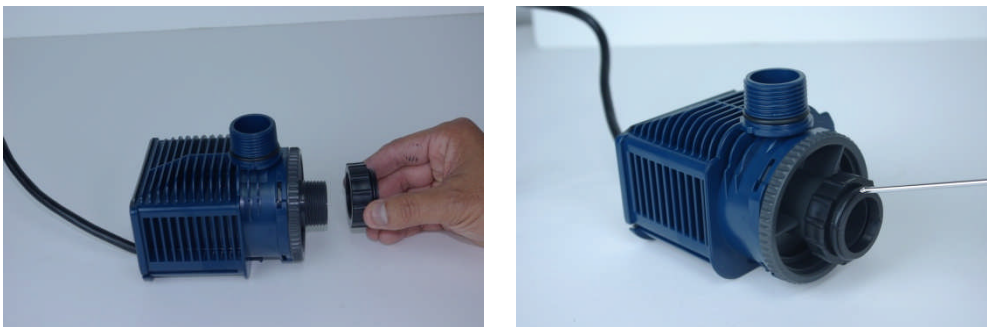


Fig. 6

Step – 5: Run the pump cord along the cord holders on the base and reinstall the Rubber Cord Grommet (as shown in Fig – 7) (Item # 20)



Fig. 7

Step – 6: Start to reinstall the UV Housing Chamber (Item # 11) by first installing the open end of the Housing that goes over the “O” ring for the Internal UV Housing (Item # 17). Slide it gently and press the end that connects to the pump by sliding it onto the “O” ring of the Pump to UV Chamber Adapter (as shown in Fig – 8) (Item # 22).



Fig. 8

Step – 7: Adjust the UV Chamber housing and Align the holes for the locking screws. You may need to adjust the Pump to UV Chamber Adapter (Item # 22) so the screws align properly while the “O” ring for the Internal UV Housing and the “O” ring of the Pump to UV Chamber Adapter to make a proper seal (as shown in Fig – 9) (Item # 17).



Fig. 9

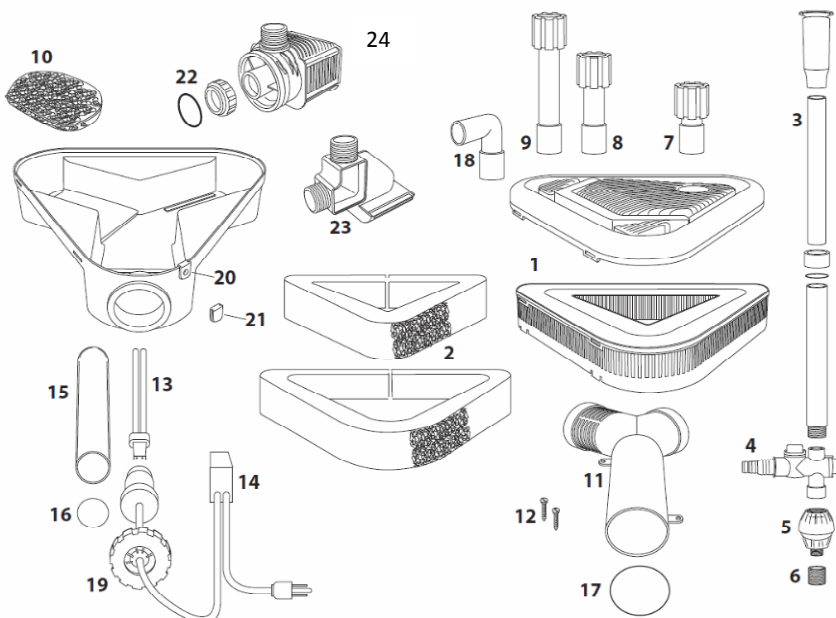
Place the Biological Media Bag and follow Step – 1, Step – 2, and Step – 3 to install the layers and Fountain Assembly.



- R442001 All-In-One Single Up To 1000 Gallons
- R442002 All-In-One Double Up To 1500 Gallons
- R442003 All-In-One Triple Up To 2000 Gallons

LIFEGARD UNO, DUO TRIO FILTER KIT INSTRUCTIONS – Includes Quiet One Pump

R440021-UNO Filter Kit Up To 1000 Gallons
 R440022-DUO Filter Kit For Up To 1500 Gallons
 R440023-TRIO Filter Kit For Up To 2000 Gallons



UNO, DUO, TRIO Filter Kits Setup
 Positions for Single, Double or Triple

Instructional Videos Available on our web site:
www.lifeguardaquatics.com

Item	Part No.	Description	Item	Part No.	Description
1	R440024	Add-on Cartridge (complete layer includes sponges)	14	R442014	13 Watt UV Ballast Assembly (Optional)
2	R440026	Replacement Sponges Only	15	R442015	UV Quartz Sleeve (Optional)
3	R442004	Fountain Kit Complete	16	R442016	Gasket for UV Quartz Sleeve (Optional)
4	R442005	Diverter Valve	17	R442017	"O" Ring for internal UV Housing (Optional)
5	R442006	Leveling Fitting for Fountain Kit	18	R442018	1" MPT x 90 Degree Insert Fitting
6	R270484	1" MPT x Close Threaded Nipple	19	R442019	UV Light Cover with Nut (Optional)
7	R442007	Single Layer Locking Assembly	20	R442020	Rubber Cord Grommet
8	R442008	Double Layer Locking Assembly	21	R442021	Rubber Solid Grommet
9	R442009	Triple Layer Locking Assembly	22	R442022	Pump to UV Chamber Adapter with "O" Ring
10	R442010	Biological Media Bag	23	R442023	Pump Replacement Base
11	R442011	UV Chamber (Optional)	24	R442024	Quiet One -2200 Pump for R440021 Uno Filter *
12	R442012	UV Chamber Screws (Optional)	24	R442025	Quiet One -3000 Pump for R440022 Duo Filter *
13	R442013	13 Watt UV Bulb (Optional)	24	R442026	Quiet One -4000 Pump for R440023 Trio Filter *

*All Quiet One Pumps come with 20' Cord

The UNO, DUO, TRIO Filter Kit comes out of the box 'Ready to Install'. Attach the Fountain Kit (Item # 3, 4, 5, 6) to the top of the Layer Locking Assembly (Item # 7, 8 or 9). Place the filter kit fully submersed under water. Turn on the Pump and see your fountain or pond getting cleared of debris. You may need to adjust the flow on the diverter (Item # 4) valve to adjust the flow on the fountain spray.

Please Read Instructions before Installing

The advanced features of this UNO, DUO, TRIO filter system allows efficient operation and if installed according to instructions, will keep the water in your pond or water garden crystal clear.

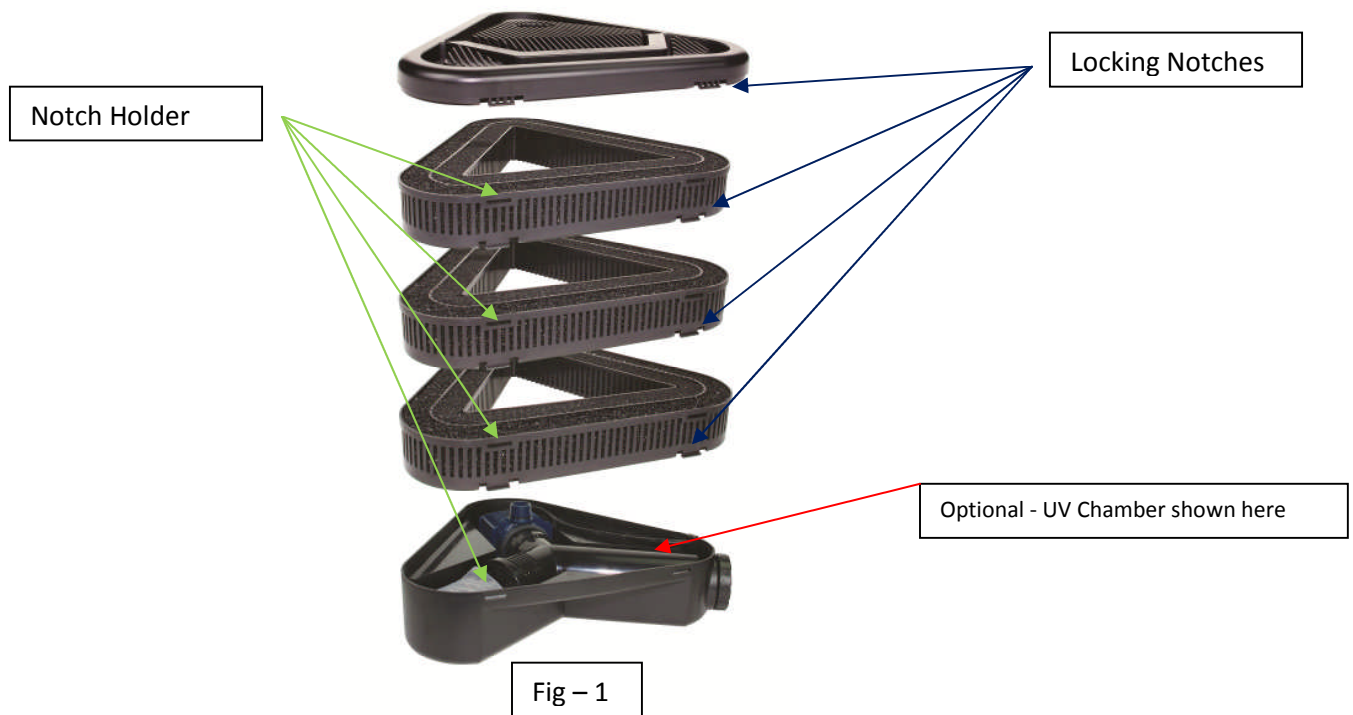
The UNO, DUO, TRIO FILTER SYSTEM is a compact filter for ponds and water gardens, easy to install and designed for easy maintenance. Besides offering 2 different fountain spray patterns, it performs three different filtering functions:

1. Multi Layer MECHANICAL Filtration to remove solids.
2. BIOLOGICAL Filtration to promote beneficial bacteria growth.
3. QUIET ONE PUMP for optimal performance and compact setup: Quiet One -2200 for UNO (594 GPH), Quiet One -3000 for DUO (758 GPH) and Quiet One -4000 for TRIO (1022 GPH)
4. (OPTIONAL) ULTRAVIOLET STERILIZATION puts out 13 Watts of intense UV light to kill free floating algae. The ultraviolet sterilizer has a separate plug so that you can operate it only when needed.

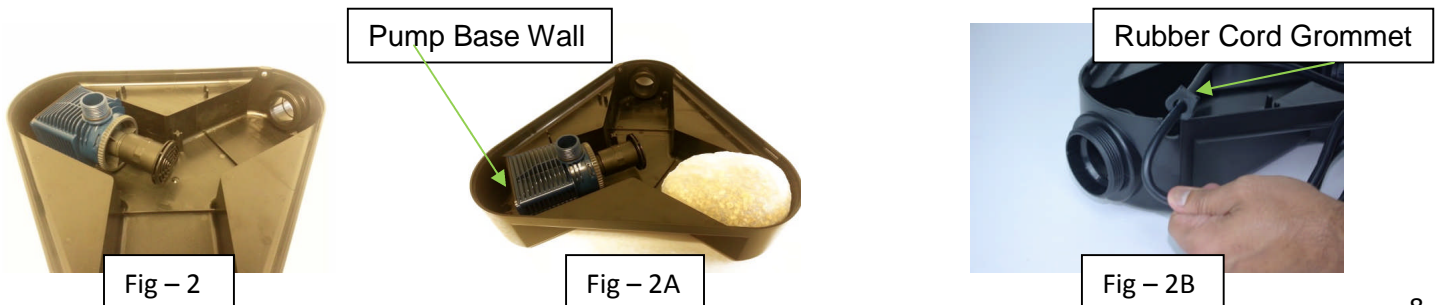
Maintenance: Please refer to the parts guide for individual part's explanation.

Maintenance:

Step – 1: Remove the Layer Locking Assembly (Item # 7, 8, or 9) that is holding down the Housing Cover Top. Take off the layer (Item # 1) by gently sliding the locking Notches (see Fig – 1)



Inspect the Pump (Item # 11) it should be locked in place (see Fig – 2). The Biological Media bag (Item # 10) should be opposite to the pump suction (see Fig – 2A). Note that the Pump both slides forward to unlock and slide back to lock. If pump are not slid all the way back to the Pump Base Wall as see in Fig – 2A - they will not lock into the UV Chamber.



Step – 2: Once all the parts are inspected for correct positioning make sure that the pump cable is running through the locks and is locked in place with the Rubber Cord Grommet (as seen in Fig. 2B).

Step – 3: Correctly place the layer (Item # 1) back on the base by sliding the Locking notches in to the Notch Holders (see Fig – 3 and 3A). Similarly place the Housing Cover Top and Lock it in with the Locking Assembly (Fig – 3B and 3C). Now you are ready to put the 1” Nipple, Leveling Fitting for Fountain Kit, Diverter Valve and the Fountain Kit Complete in the same order (Item #6, 5, 4, 3).



Fig – 3



Fig – 3A



Fig – 3B



Fig – 3C



Fig – 3D



Fig – 3E



Fig – 3F

Pump Installation:

NOTE: THE INSTRUCTIONS/IMAGES BELOW SHOW THE OPTIONAL UV STERILIZER RECOMMENDED FOR THE FILTER. If you don't have a UV Sterilizer just disregard the instructions on UV.

It is recommended that you service the pump every three months to enhance its efficiency and the life of the moving parts. Before you start to service the pump – **Note** – If you have upgraded your UNO, DUO or TRIO Filter kit with an Optional UV – You will first need to remove the UV bulb and Sleeve from the unit (see UV Installation below). By not doing this first you risk cracking the Quartz Sleeve and UV Bulb.

To service the pump follow Step – 1 to remove the top cover, Filter layers and the Biological media bag. Now remove the UV housing Cover by removing the screws that hold it in place (as seen in Fig – 4A).



Fig – 4A



Fig – 4B



Fig – 4C

Step – 4: Gently slide the UV Housing Cover (Item # 11) by first sliding it out from the pump and then the base UV seal (as seen in Fig – 4B). The pump is locked onto the base with horizontal notches (as seen in Fig – 5A and 5B).

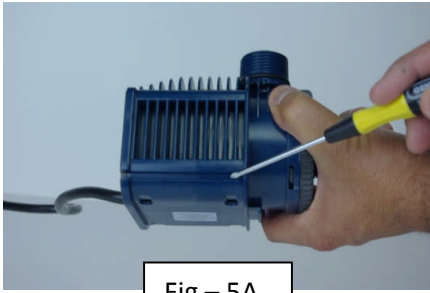


Fig - 5A

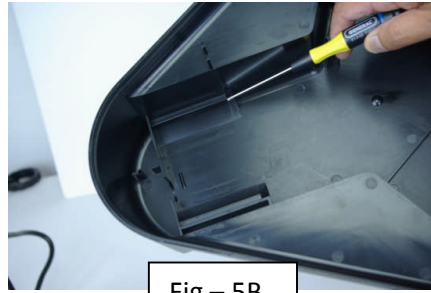


Fig - 5B

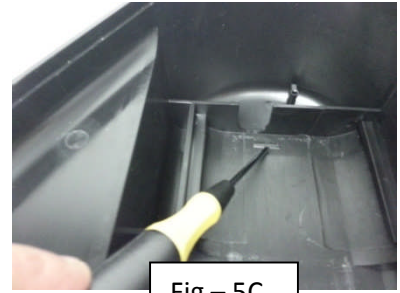


Fig - 5C

Pulling the pump Vertically will result in damaging the filter base and the pump. With the pump out now you can remove the grey volute by twisting it counter clockwise. This will expose the impeller and shaft of the pump. Inspect all parts for any debris. Use a brush to remove any debris. NOTE the position of the pump when it is locked onto the base. The pump is properly locked once it slides over the Locking Notch (as seen in Fig - 4C). Note - If the pump is not installed properly the UV Housing Cover will not align properly. Once this process is complete you will have to lock the pump back into the same position. With the pump fully exposed push it out horizontally along the notches.

Recommendation: It is recommended to use Lifeguard Silicone Lubricant (Part # R172036) on all rubber O-rings and the impeller and shaft of the pump. After servicing the pump replace the pump back onto the base by following Step - 4 in reverse. Make sure to slide the pump back onto the base until it is locked and you hear a locking click. If the pump is not locked all the way the UV chamber will not fit properly. Reinstall the Pump to UV Chamber Adapter (as shown in Fig - 6).



Fig - 6

Step - 5: Run the pump cord along the cord holders on the base and reinstall the Rubber Cord Grommet (Item # 20) (as shown in Fig - 7)



Fig - 7

Step - 6: Start to reinstall the UV Housing Chamber by first installing the open end of the Housing that goes over the "O" ring for the Internal UV Housing. Slide it gently and press the end that connects to the pump by sliding it onto the "O" ring of the Pump to UV Chamber Adapter (as shown in Fig - 8).



Fig - 8

Step – 7: Adjust the UV Chamber housing and Align the holes for the locking screws. You may need to adjust the Pump to UV Chamber Adapter so the screws align properly (see Fig – 9C) while the “O” ring for the Internal UV Housing and the “O” ring of the Pump to UV Chamber Adapter make a proper seal (as shown in Fig – 9A). Once the pump and the UV Chamber Housing are aligned correctly the screw holes will fall in place (see Fig – 9B). Install the screws.



Fig – 9A



Fig – 9B



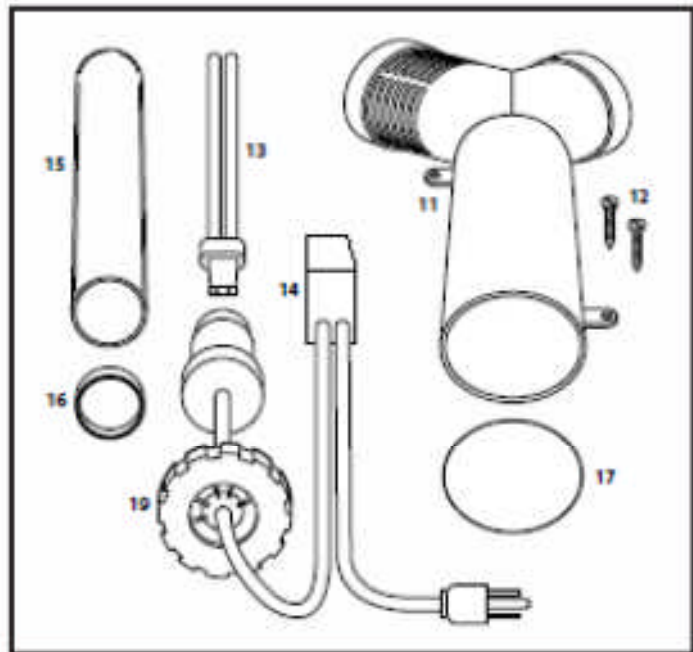
Fig – 9C

Step – 8: Replace the Biological Media Bag. The Biological Media bag (Item # 10) should be by the UV Chamber Opening opposite the Pump Replacement Base. Follow Step – 1, Step – 2, and Step – 3 to install the layers and Fountain Assembly.

R440028 13 WATT UV STERILIZER KIT

Upgrade your Uno, Duo, Trio Filters with a 13 Watt UV to control Algae and Disease Control. Complete easy-to-install unit shipped direct from factory.

Item	Part No.	Description
11	R442011	UV Chamber
12	R442012	UV Chamber Screws
13	R442013	13 Watt UV Bulb
14	R442014	13 Watt UV Ballast Assembly
15	R442015	UV Quartz Sleeve
16	R442016	Gasket for UV Quartz Sleeve
17	R442017	“O” Ring for Internal UV Housing
19	R442019	UV Light Cover with Nut



To Add a UV Sterilize or for any replacement parts – Please call the manufacturer at:

Lifeguard Aquatics

16301 Carmenita Road

Cerritos, CA 90703

Tel (562)404-4129

Fax (562)404-4159

Email: info@lifeguardaquatics.com

Web Site: www.lifeguardaquatics.com

UV Installation: UV is an **OPTIONAL** add-on feature for UNO, DUO and TRIO Filter Kits. You can purchase it directly from the manufacturer (contact information listed below). Adding UV helps control Algae and Disease in your system. Fig – 10A shows the components of your UV Kit. Install the UV Bulb (Item # 13) into the Ballast Connector Item # 14) (see Fig – 10B). Install the O-Ring (Item # 16) onto the Quartz Sleeve (Item # 15) as seen in Fig – 10C. The tapered end of the O-Ring slides onto the Quartz Sleeve first as seen in Fig – 10C and 10D. Slide the Quartz Sleeve with the O-Ring onto the UV Bulb as shown in Fig – 10E. The Quartz Sleeve should slide into the groove of the Clear View Cover (Fig – 11A). Slide the complete assembly into the filter base (Fig – 10F). Align the Guide Notch (Fig – 11B and 10G) on the Filter base with the Clear View Cover and push it all the way in (Fig – 10G). Lock the assembly in place with the UV Light Cover Nut (Item #19). Make sure the Ballast (Item # 14) is not exposed to moisture and the wiring is laid out safely. Connect the Ballast cable to power. You should see the Blue Glow of the UV Light. NOTE – In case of any water contact with the electrical components the circuit breaker will trip.



Fig – 10A

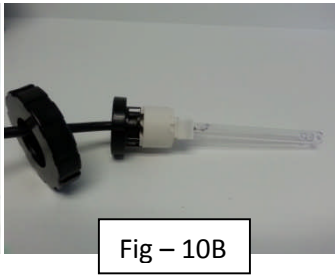


Fig – 10B

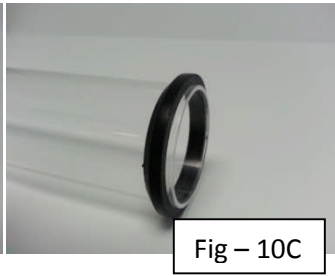


Fig – 10C

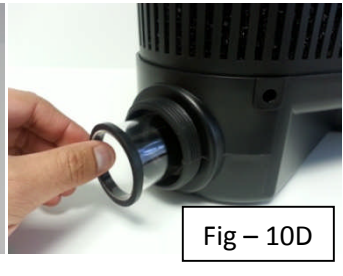


Fig – 10D

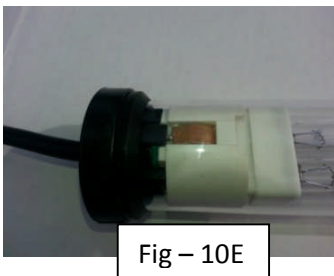


Fig – 10E

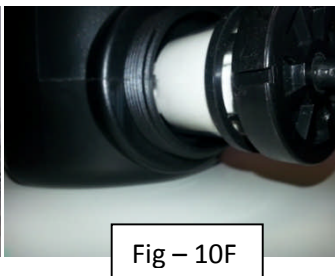


Fig – 10F

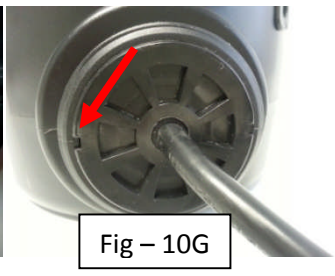
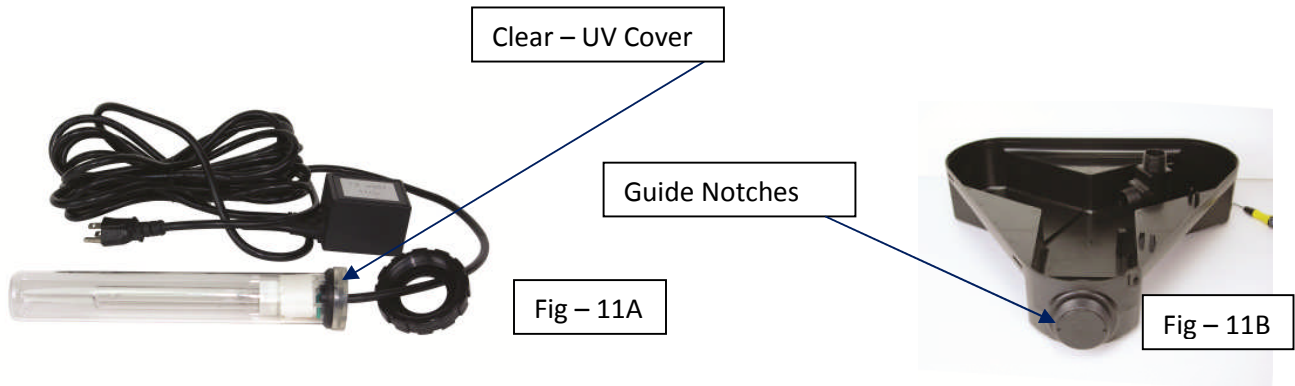


Fig – 10G



Fig – 10H



Clear – UV Cover

Guide Notches

Fig – 11A

Fig – 11B

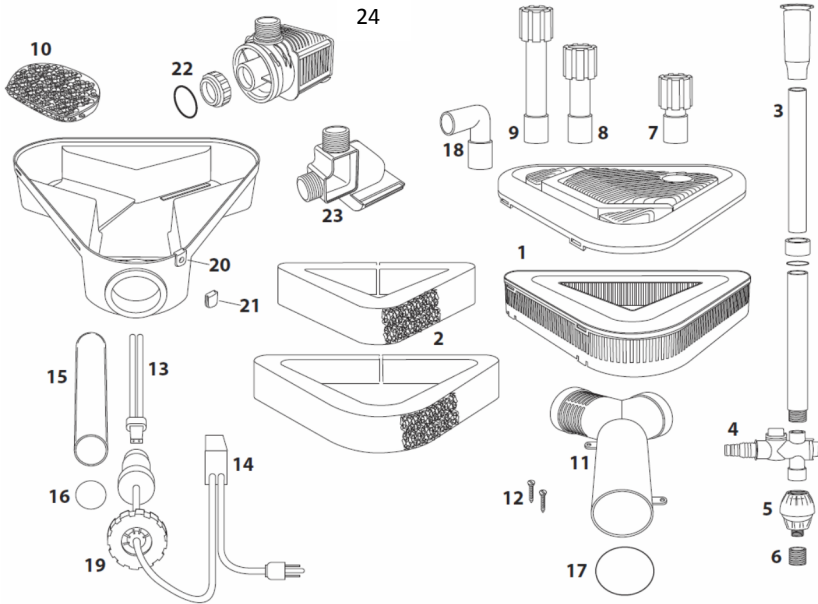
LIFEGARD UNO, DUO TRIO FILTER



UNO, DUO, TRIO Filter Kits Setup Positions for Single, Double or Triple

R440011-UNO Filter For Up To 1000 Gallons
 R440012-DUO Filter For Up To 1500 Gallons
 R440013-TRIO Filter For Up To 2000 Gallons

Instructional Videos Available on our web site:
www.lifegardaquatics.com



Item	Part No.	Description	Item	Part No.	Description
1	R440024	Add-on Cartridge (complete layer includes sponges)	14	R442014	13 Watt UV Ballast Assembly (Optional)
2	R440026	Replacement Sponges Only	15	R442015	UV Quartz Sleeve (Optional)
3	R442004	Fountain Kit Complete	16	R442016	Gasket for UV Quartz Sleeve (Optional)
4	R442005	Diverter Valve	17	R442017	"O" Ring for internal UV Housing (Optional)
5	R442006	Leveling Fitting for Fountain Kit	18	R442018	1" MPT x 90 Degree Insert Fitting
6	R270484	1" MPT x Close Threaded Nipple	19	R442019	UV Light Cover with Nut (Optional)
7	R442007	Single Layer Locking Assembly	20	R442020	Rubber Cord Grommet
8	R442008	Double Layer Locking Assembly	21	R442021	Rubber Solid Grommet
9	R442009	Triple Layer Locking Assembly	22	R442022	Pump to UV Chamber Adapter with "O" Ring
10	R442010	Biological Media Bag	23	R442023	Pump Replacement Base
11	R442011	UV Chamber	24	R442024	Quiet One -2200 Pump (Optional)
12	R442012	UV Chamber Screws	24	R442025	Quiet One -3000 Pump (Optional)
13	R442013	13 Watt UV Bulb (Optional)	24	R442026	Quiet One -4000 Pump (Optional)

*All Quiet One Pumps come with 20' Cord

The UNO, DUO, TRIO filter comes out of the box 'Ready to Install'. Attach the Elbow (Item # 18) to the top of the Layer Locking Assembly (Item # 7, 8 or 9) Insert one end of the hose into the Elbow and the other to the suction side of your submersible pump. Make sure that the filter is fully submersed in the water and the pump hose is primed. Turn on the Pump and see your pond getting cleared of debris.

Please Read Instructions before Installing

The advanced features of this UNO, DUO, TRIO filter system allows efficient operation and if installed according to instructions, will keep the water in your pond or water garden crystal clear.

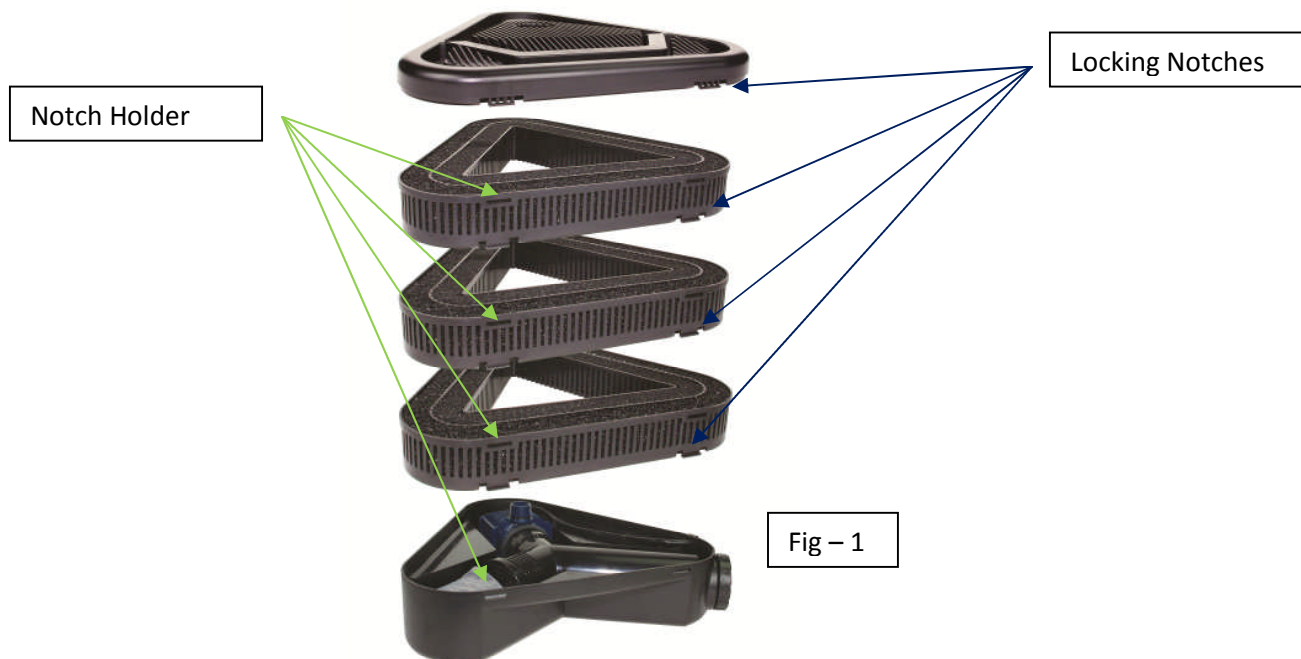
The UNO, DUO, TRIO FILTER SYSTEM is a compact filter for ponds and water gardens, easy to install and designed for easy maintenance. Besides offering 2 different fountain spray patterns, it performs three different filtering functions:

1. Multi Layer MECHANICAL Filtration to remove solids.
2. BIOLOGICAL plus Filtration to promote beneficial bacteria growth.
3. **(OPTIONAL)** QUIET ONE PUMP for optimal performance and compact setup: Quiet One -2200 for UNO (594 GPH), Quiet One - 3000 for DUO (758 GPH) and Quiet One -4000 for TRIO (1022 GPH)
4. **(OPTIONAL)** ULTRAVIOLET STERILIZER puts out 13 Watts of intense light to kill free floating algae. The ultraviolet sterilizer has a separate plug so that you can operate it only when needed.

Maintenance and Setup:

NOTE: THE INSTRUCTIONS/IMAGES BELOW SHOW THE OPTIONAL UV STERILIZER RECOMMENDED FOR THE FILTER. If you don't have a UV Sterilizer just disregard the instructions on UV.

Step – 1: Remove the Layer Locking Assembly (Item # 7,8 or 9) that is holding down the Housing Cover Top. Take off the layer (Item # 1) by gently sliding the locking Notches (see Fig – 1)



Step – 2 Inspection and Replacement of parts: Inspect the Pump Replacement Base (Item # 23). it should be locked in place (see Fig – 2E). The Biological Media bag (Item # 10) should be opposite to the pump suction (see Fig – 2B). Note that the Pump Replacement Base slides forward to unlock and slides back to lock. If it is not slid all the way back to the Pump Base Wall as see in Fig – 3E - it not lock into the UV Chamber.

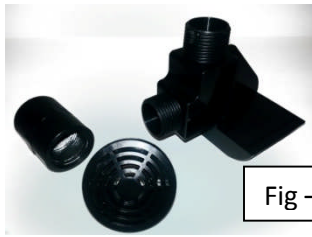


Fig - 3



Fig - 3A



Fig - 3B

Pump Lock Notch

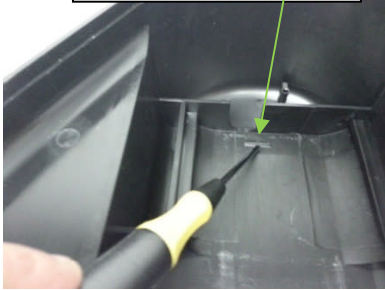


Fig - 3C

Pump Base Wall



Fig - 3D

Correct Installation - No Gap



Fig - 3E

Step - 3 Removal of **Optional** UV Chamber Housing (Item # 11) and Pump Replacement Base (Item # 23). After removing the layers you will see the Biological Media Bag (Item # 10), UV Chamber Housing (Item # 11) and Pump Replacement Base (Item # 23). Take out the Biological Media Bag (Item # 10). Gently push the UV Chamber Housing (Item # 11) off of the Pump to UV Chamber Adapter (Item # 22) as seen in Fig - 3. Then slide it off of the UV Housing Chamber holder on the base (Fig - 3A).



Fig - 3

UV Housing Chamber holder

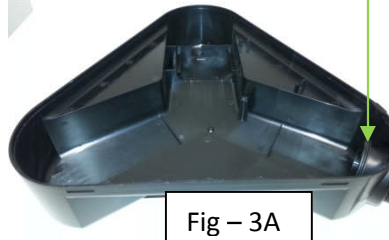


Fig - 3A



Now push out the Pump Replacement Base (Item # 23). It should slide along the guides. You may need to use some force to unhinge it off of the Pump Lock Notch as seen in Fig - 3.

To Install the UV Chamber (Item # 11) first slide it into the UV Chamber opening as see in Fig. 4A and then gently push it into the Pump to UV Chamber Adapter (Item # 22). The O-Ring on the Pump to UV Chamber Adapter (Item # 22) should be properly inserted into the UV Chamber Housing (Item # 11). Once both parts - Pump Replacement Base and UV Chamber are locked in place correctly the screw openings on the UV Chamber will align and you can lock it with Screws (See Fig - 4B). The Biological Media bag (Item # 10) should be by the UV Chamber Opening opposite the Pump Replacement Base (see Fig - 4C).



Fig - 4



Fig - 4A

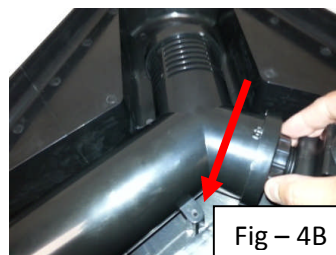


Fig - 4B

Rubber Cord Grommet

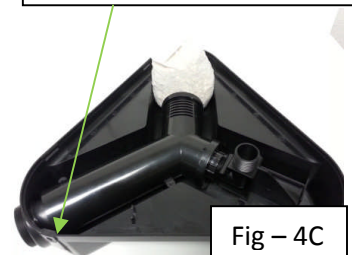


Fig - 4C

Step - 2: Once all the parts are inspected for correct positioning make sure that the Solid Rubber Cord Grommet (Item # 21) is correctly locked in its slot (see Fig - 2C).

Step – 3: Correctly place the layer (Item # 1) back on the base by sliding the Locking notches into the Notch Holders see Fig – 5 and 5A. Similarly place the Housing Cover Top and make sure to align the notches for correct assembly as seen in Fig – 5B. Lock the Layer and Top Cover with the Locking Assembly (Item # 7,8 or 9) as seen in Fig – 5C. Now you are ready to put the 1" MPT x 90 Degree Elbow (Item #18) on the Locking Nut.



Fig – 5



Fig – 5A



Fig – 5B



Fig – 5C

Step – 4: Place the UV Light Solid Cover. Align the two notched and slide in the cover. Lock it in place using the nut. See Fig – 5A, 5B and 5C



Fig – 5A



Fig – 5B

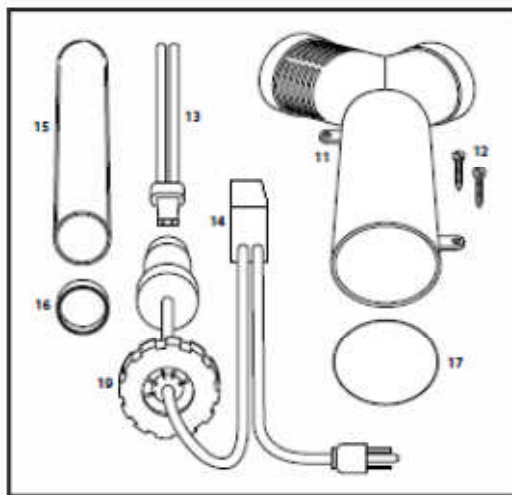


Fig – 5C

R440028 13 WATT UV STERILIZER KIT

Upgrade your Uno, Duo, Trio Filters with a 13 Watt UV to control Algae and Disease Control. Complete easy-to-install unit shipped direct from factory.

Item	Part No.	Description
11	R442011	UV Chamber
12	R442012	UV Chamber Screws
13	R442013	13 Watt UV Bulb
14	R442014	13 Watt UV Ballast Assembly
15	R442015	UV Quartz Sleeve
16	R442016	Gasket for UV Quartz Sleeve
17	R442017	“O” Ring for Internal UV Housing
19	R442019	UV Light Cover with Nut



To Add a UV Sterilize, a Pump or for any replacement parts – Please call the manufacturer at:

Lifegarda Aquatics

16301 Carmenita Road

Cerritos, CA 90703

Tel (562)404-4129

Fax (562)404-4159

Email: info@lifegardaquatics.com

Web Site: www.lifegardaquatics.com

WARRANTY: Lifeguard Aquatics warrants the original purchaser of the product against defective material and workmanship under normal use, for a period of 1 year from the date of purchase. Replacement liability in all events is limited to the replacing or repairing at Lifeguard Aquatics sole discretion of any part or parts, which are defective in material or workmanship. Proof of purchase is required on all claims in the form of invoice copy, sales ticket, etc.

APPLICATION: Warranty covers only properly installed and maintained units.

INSTALLATION and/or REMOVAL CHARGES: Warranty does not cover any costs associated with the installation or removal of products subject to warranty claims.

DISPOSITION: Lifeguard will make a good-faith effort for prompt disposition regarding any item in warranty, which proves to be defective. If products were damaged in transit, please file a claim with the carrier.

DISCLAIMER: Lifeguard Aquatics will not be liable for any labor cost of removing or replacing component parts. This shall be the responsibility of the original purchaser, as will be the shipping charge to Lifeguard Aquatics facility. Any oral statements about the product made by the seller, the manufacturer, the representatives or any other parties, do not constitute warranties, should not be relied upon by the user, and are not part of the contract for sale. Seller's and manufacturer's only obligation and buyer's and user's only remedy, shall be for the manufacturer to either replace and/or repair at the manufacturer's sole discretion the Lifeguard product as described above. Neither seller nor the manufacturer shall be liable for any injury, loss or damage, direct, incidental or consequential (including, but not limited to, incidental or consequential damages for lost profits, lost sales, injury to person or property, or any other incidental or consequential loss), arising from any cause whatsoever, no matter whether based upon warranty, contract, negligence or other misuse, and the buyer and user agree that no other remedy shall be available to them. Damage or failure of any part of a unit covered by this warranty, which results from causes directly, or indirectly connected with the installation, operation, environment, use or willful abuse, including without limitations, improper repackaging and damage incurred in shipping is not covered by this warranty. Unless state law provides otherwise, the manufacturer will only be responsible for repair or replacement of any of its products or parts that are found to be defective, and will not bear any cost of any incidental or consequential damages arising out of the occurrence of such defect. Before using, the buyer and user shall determine the suitability of the product for the intended use, and assumes all risk and liability whatsoever in connection herewith. The warranty and remedy described in this limited warranty is an EXCLUSIVE warranty and remedy. IN LIEU of any other warranty or remedy, expressed or implied, which other warranties and remedies are hereby expressly EXCLUDED, including but not limited to any implied warranty of MERCHANTABILITY OR FITNESS FOR A PARTICULAR PURPOSE. This Warranty gives buyer and user specific legal rights, and buyer and user may also have other rights that vary from state to state. Some states do not allow the exclusion or limitations of incidental or consequential damages, so the above limitation or exclusion may not apply to you.

Warranty period starts from date of purchase and must be validated with copy of original purchase receipt.

- Warranty requests by phone will not be honored.
- Warranty items returned without copy of original purchase receipt will not be honored.
- Products purchased from eBay, craigslist, etc cannot be honored for warranty unless returned through original purchaser with proof of purchase.
- All items must first be returned to Lifeguard Aquatics for inspection, evaluation, and processing to determine if product qualifies for warranty replacement or repair. No warranty (repair, replacement, or credit) will be issued prior to inspection of product. **Please contact us first for warranty assistance. Many times the product can be repaired without the cost and time involved in sending it back to us.** If absolutely necessary, return product **freight prepaid** to the following address for warranty evaluation and processing.

Lifeguard Aquatics

16301 Carmenita Road

Cerritos, CA 90703

Tel (562)404-4129

Fax (562)404-4159

Email: info@lifegardaquatics.com

Web Site: www.lifegardaquatics.com

- **3 year warranty** from date of purchase on **Quiet One Pump Motors Only.**
- **60 day warranty** from date of purchase on **Shafts and Impellers for All Types of Pumps.**
- **60 day warranty** from date of purchase on all **Ultraviolet Bulbs.**
- **1 year warranty** from date of purchase on **All**

WARNING - Risk of electric shock. To reduce the risk of electric shock, be certain that it is connected only to a properly grounded, grounding - type receptacle.