



Part # 4300

We recommend the following accent boulders be matched with this waterfall for an extended natural zone:

Accent Boulders: 8300 (2 Boulders)

FEATURES:

- Durable, Rugged, & Light Weight Polyurea Construction
- Recommended for Pool, Pond, or Spa Applications
- Rated at 950 Gallons Per Hour
- Available in 4 Colors; Hues May Vary
- Color is Chemically Bonded to Undercoat

Boulder Springs Rock Colors = Sandstone: -20; Slate Gray: -21; Light Granite: -22; Sunset Red: -23
(add custom color code behind part # when ordering)

To Find Stub Up Location:

Refer to dimension "a" & "b" in sketch.

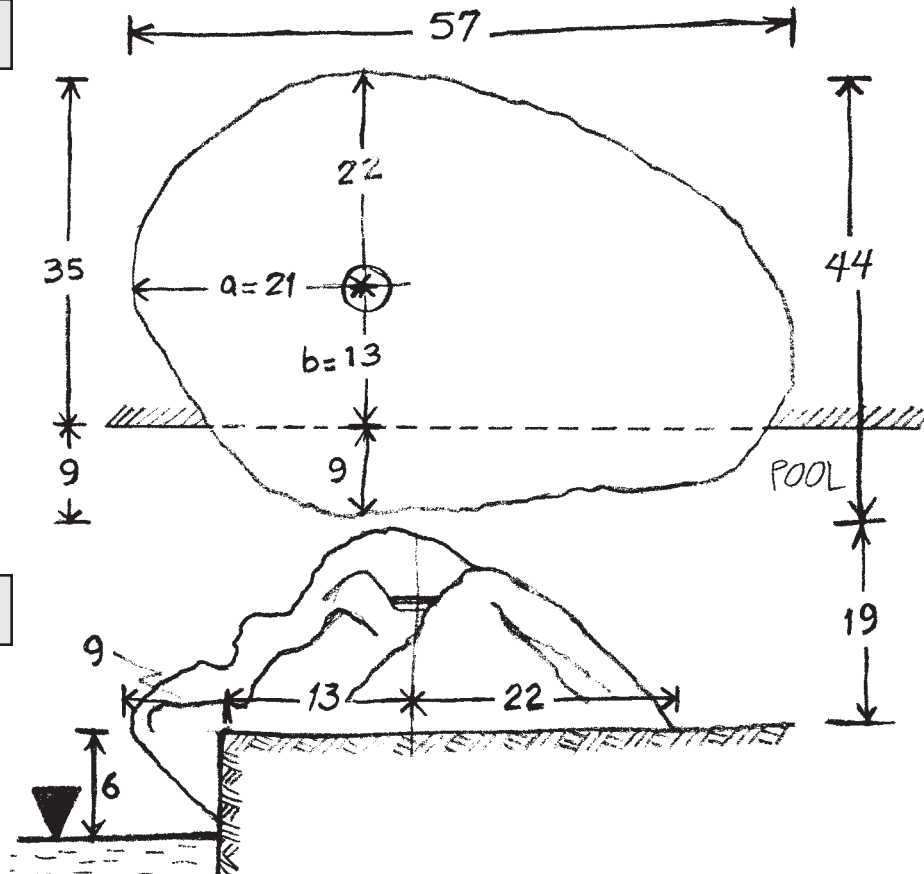
WATERFALL DIMENSIONS - 4300

Length = 57"

Height = 19"

Width = 44"

TOP VIEW



SIDE VIEW

NOTE: All sizes +/- 2". Please check website for most current sizes & weights. (inter-fab.com)